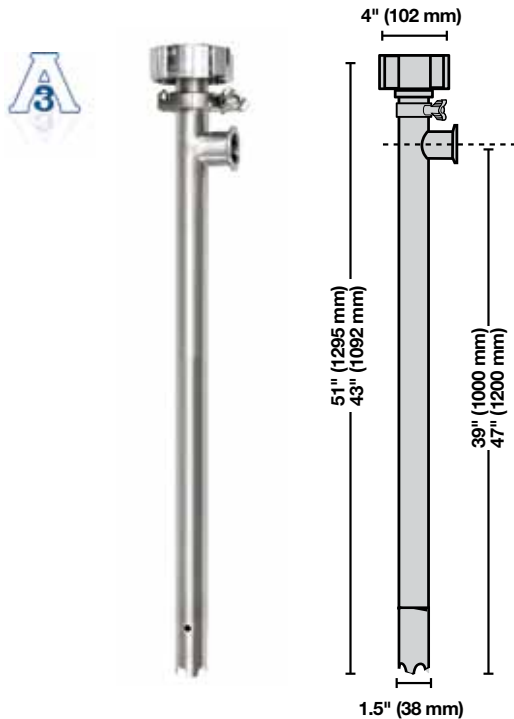


Sanitary Drum Transfer Pumps

SP-8800 / SP-8900 SERIES



8800 Series

MODEL	TUBE ASSEMBLY	BUSHING	IMMERSION LENGTH	IMPELLER	SHIPPING WT lbs (kg)
SP-8800-39	SS316	PTFE	39" (1000 mm)	High Volume	12.0 (5,5)
SP-8800-47	SS316	PTFE	47" (1200 mm)	High Volume	14.0 (6,4)

8900 Series

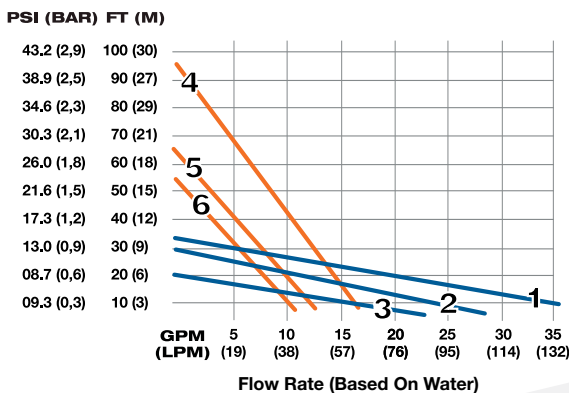
MODEL	TUBE ASSEMBLY	BUSHING	IMMERSION LENGTH	IMPELLER	SHIPPING WT lbs (kg)
SP-8900-39	SS316	PTFE	39" (1000 mm)	High Pressure	12.0 (5,5)
SP-8900-47	SS316	PTFE	47" (1200 mm)	High Pressure	14.0 (6,4)

Technical Specifications

Immersion Length:.....39" (1000 mm)
 47" (1200 mm)
Wetted Components:SS316L, Teflon & Buna
Motor Drive:SP-280P, SP-ENC, SP-A1, SP-A2
Discharge Size:..... 1.5" Tri-Clamp /
 Optional 1" Tri-Clamp Hose Barb

Maximum Viscosity:1,000 cps (mPAS)*
Maximum Discharge Pressure: 40 psi (2,8 bar)
Maximum Flow Rate:35 GPM (132 LPM)
Pump Weight: 11 lbs (5 kg) does not include motor weight
 which varies upon model.
Maximum Temperature:175° F (80° C)

Flow Curves



KEY:

- 1 SP-280P, SP-ENC / 8800 Pump Tube
- 2 SP-A2 / 8800 Pump Tube
- 3 SP-A1 / 8800 Pump Tube
- 4 SP-280P, SP-ENC / 8900 Pump Tube
- 5 SP-A2 / 8900 Pump Tube
- 6 SP-A1 / 8900 Pump Tube



Toll Free: 1-866-558-8611
 Tel 770-307-1003

www.standardpump.com

Note: Pump is constructed with FDA compliant materials; however, the pump does not have FDA certification.

*Pump is intended for intermittent use when operating at maximum viscosity.