

Dura 45

The Verderflex Dura 45 is a compact, high pressure hose pump with superior secondary containment. Designed for dosing, metering, sampling, high lift or medium head applications in brewing, chemical processing, industrial plants, water treatment and effluent and waste water processing.



Your benefits

- Ideal for abrasive or high solid content slurries
- Self priming, problem free pumping of gaseous liquids
- Easily pumps viscous liquids
- Gentle low shear pumping action
- Dry running capabilities
- Long life hoses
- No seals or valves
- FDA CF21 and EC/1935, optional ATEX

Technical data

Max. flow rate (l/h)	12240
Max. discharge pressure (bar)	16
Max. suction lift (mWc)	9,5
Max. temperature of medium (°C)	80 ¹⁾
Hose ID (mm)	45
Max. incompressible solid size (mm)	4,5
Max. compressible solid size (mm)	11,25
Weight with typical GMU (kg)	160

1) Continuous use with NR hose.

Materials

Description	Materials	Options	Paint detail
Pump housing	Cast iron (ISO 185/JL/250/GG25)		Green powder coated
Front cover	Carbon steel with Plexiglass inspection window		Black powder coated
Rotor	Cast iron (ISO 185/JL/250/GG25)		
Rotor shoes	Cast aluminium	Other materials to order	
Drive shaft	EN24T steel		
Port flange	316 stainless steel universal slotted design - fits with DN50, DIN PN16, ANSI 150# 2" & JIS10K	304 stainless steel with polypropylene or P.V.D.F insert ¹⁾ , DIN11851 hygienic, DIN32676 tri-clamp	
Mounting frame	Carbon steel (S275)		Black powder coated
Gearbox flange	Aluminium		
Bearing	Bearing steel Deep groove ball bearing		
Shaft seal	FKM	PTFE	
Lubricant		Verderlube - glycerine based lubricant ²⁾ Verdersil - silicone based lubricant ³⁾	
Hose	Natural Rubber (NR)	Nitrile Buna Rubber (NBR), Nitrile Buna Rubber Foodgrade (NBRF), Ethylene Propylene Diene Monomer (EPDM), Hypalon® (CSM)	

1) Temperature limit for PP insert is 40 °C and for PVDF insert is 80 °C.

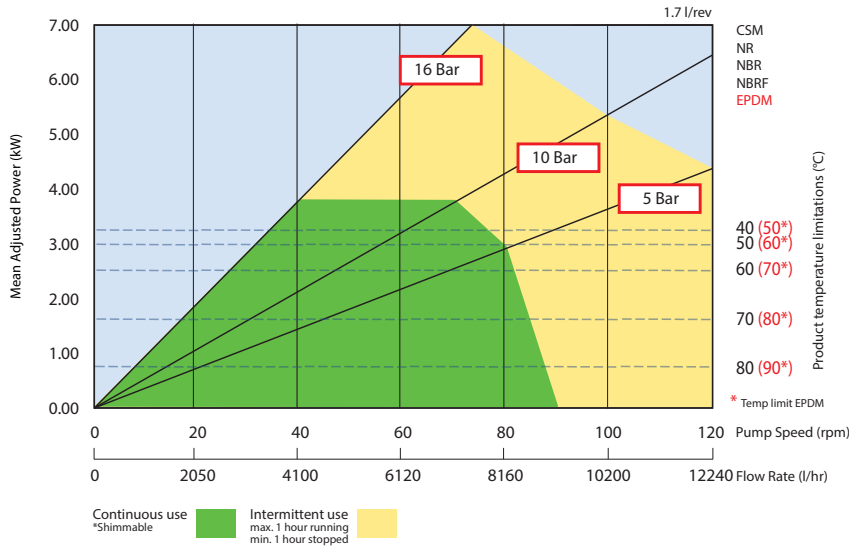
2) Temperature limit for Verderlube is 50 °C.

3) Suitable application above 50 °C but subject to maximum temperature limit of the hose and applications involving strong oxidising agents and nitrogenous compounds.

Dura 45

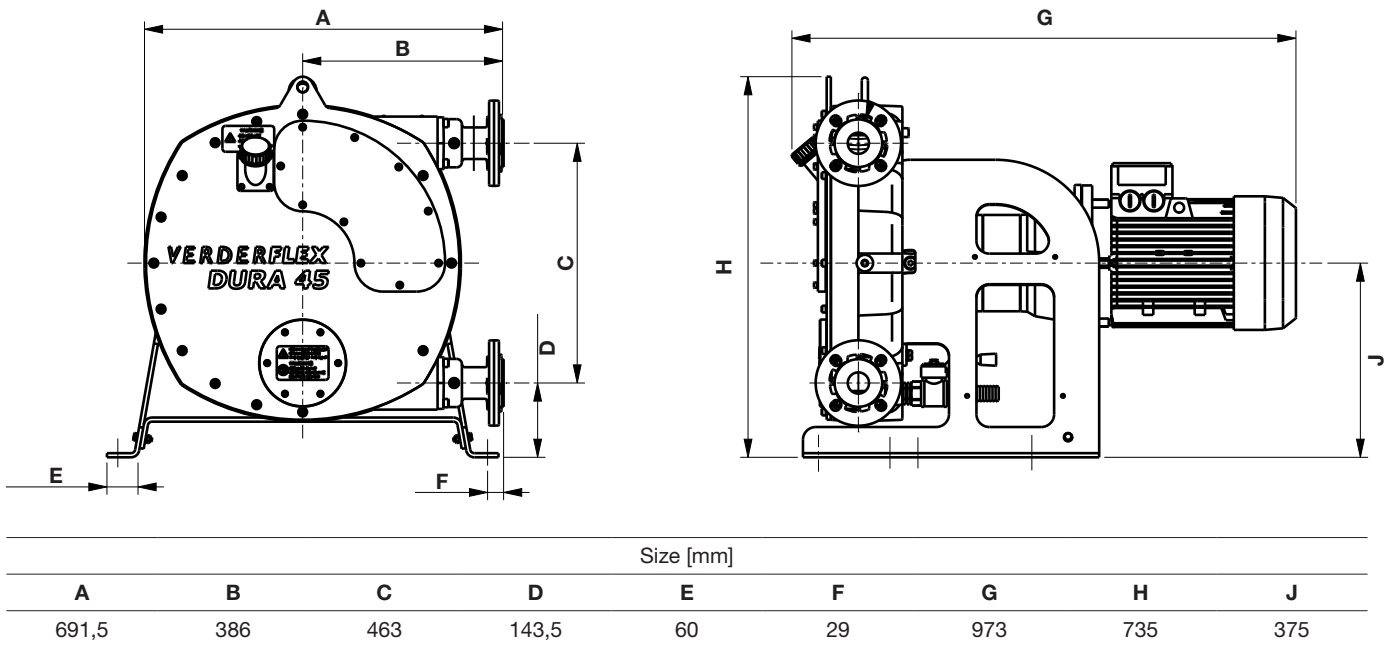


Performance curve



Any application below 15Hz may require special review. Flows are typical and were measured with water at 20°C with no suction lift or discharge pressure. Actual flows will vary according to suction conditions, discharge pressure and normal component production tolerances. DURA PUMPS OPERATING ABOVE 6 BAR REQUIRE CONSULTATION WITH MANUFACTURER OR DISTRIBUTOR.

Dimensions



Verderflex_DURA45_EN_EN_Datasheet_Rev1_2026

Find your local supplier at www.verderliquids.com

For construction, installation and floor mounting drawings please contact your local authorised VERDERFLEX® distributor.

a VERDER company