

VERDERAIR EODD 2ND GENERATION

VA-2E25

The VA-2E25 is an electric driven double diaphragm pump. With the wide range of different available materials for pump body, valve seats, valve balls and diaphragms, this pump is the ideal problem solver in a wide range of applications across many industries. It's smart, simple, cost-effective, clean and environmentally responsible. It's designed to be quieter, lighter, more reliable, and easier to maintain.



Your benefits

- Energy efficient
- Low noise level
- Can stall against close discharge
- Can run dry without damage
- Dry self priming

Technical Data				
Weight (kg)	Fluid section : coding	Fluid section material		
	A	Aluminium	28,1	
	S	Stainless Steel 316	35,8	
	C	Conductive Polypropylene	27,7	
	P	Polypropylene	27,7	
	K	Kynar (PVDF)	30,4	
Max. suction lift (mwc)		Dry	2,4	
Temperature (°C)	Fluid section	Internals		
	A, S	AC	-29	82
		AL	-51	135
		BN	-12	82
		NW,NE,NO	-12	82
		VT	-40	135
		PP	0	79
		TS	-40	82
		TF	-40	104
		TO	-40	82
		GE	-40	82
		SP	-40	82
		HY	-40	82
		SS	-51	135
		KY	-12	107
K	all, except PP	-12	82	
	PP	0	66	
P	all	0	66	
Max. particle size (mm)				3,2
Max. sound pressure (dBa)		at full power and flow		74
Max. fluid pressure (bar)				7
Max. recommended viscosity (mPas)				10.000
Pump supplied with electrical cable	Drive type			
	D2	4,5 meter with plug IEC60320-C14		
	D4	4,5 meter, flying leads		

VERDERAIR EODD 2ND GENERATION

VA-2E25



Code VA-2E25 No.1 No.2 No.3 No.4.No.5.No.6.No.7

No. 1 Fluid Section Material

- ⊕ A = Aluminium
- ⊕ S = Stainless Steel 316
- P = Polypropylene
- ⊕ C = Conductive Polypropylene
- K = Kynar (PVDF)

No. 2 Drive Section specs + Material

D2= 220-240V, 10A, 1phase,50/60 Hz,
Aluminium, Black powder coated

- ⊕ D4= 220-240V, 10A, 1phase,50/60 Hz
(ATEX), Aluminium, Black powder coated

No. 3 Check Valve seat material

- AC = Acetal
- AL = Aluminium
- BN = Buna-N
- VT = Viton (FKM)
- GE = Geolast
- HY = Hytrel
- PP = Polypropylene

- KY = Kynar (PVDF)
- SP = Santoprene
- SS = Stainless Steel

No. 4 Check ball valves material

- AC = Acetal
- BN = Buna-N
- VT = Viton (FKM)
- GE = Geolast
- HY = Hytrel
- SP = Santoprene
- SS = Stainless Steel
- TF = PTFE
- NE = Neoprene
- NW = Neoprene weighted

No. 5 Diaphragm material

- BN = Buna-N
- GE = Geolast
- HY = Hytrel
- SP = Santoprene
- TS = PTFE/Santoprene 2 piece
- TO = PTFE/EPDM overmold

- NO = Neoprene overmold
- VT = Viton (FKM)

No. 6 Connections

- FC = Center flange DIN DN25/ANSI 1" (only non-metallic pumps)
- FE = End flange DIN DN25/ANSI 1" (only non-metallic pumps)
- TN = Threaded NPT 1", female (only metallic pumps)
- TB = Threaded BSPT 1", female (only metallic pumps)

No. 7 Options

- OO = Standard

Note not all combinations are available

- ⊕ II 2 G Ex dh IIB T4 Gb
- Note : only with D4 drive

Example pump type
VA-2E25A D2 AL TF TS TB OO

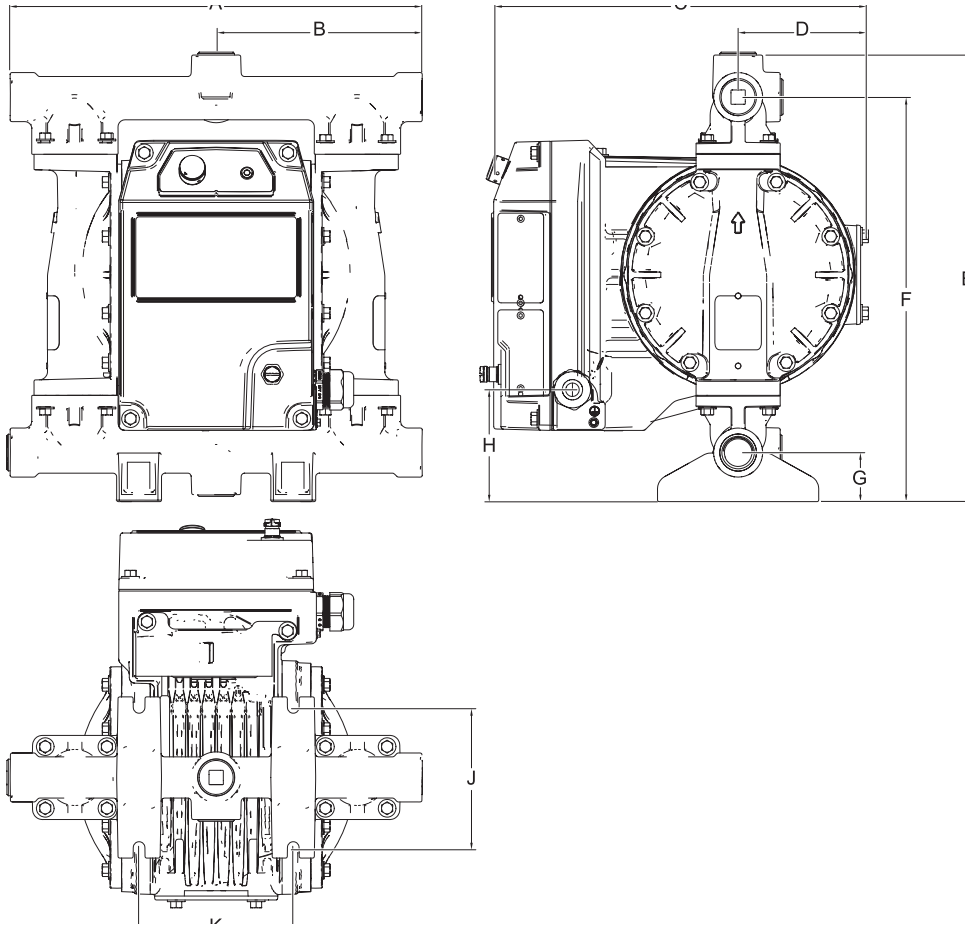


VERDERAIR EODD 2ND GENERATION

VA-2E25



Dimensions

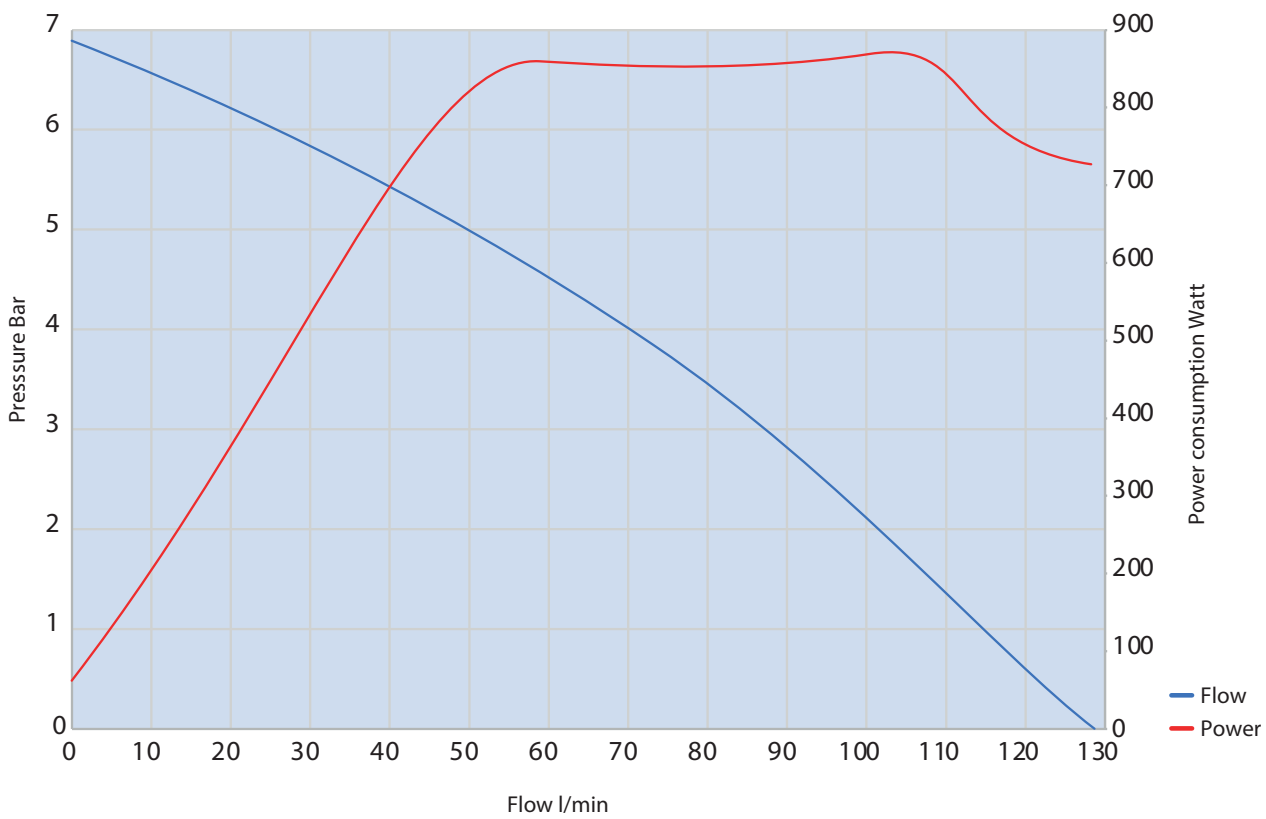


Ref.	Wetted Section Material					
	A		S		P, K	
	cm	in.	cm	in.	cm	in.
A	37.34	14.70	35.31	13.90	38.61	15.20
B	18.67	7.35	16.71	6.58	20.32	8.00
C	33.66	13.25	33.66	13.25	33.66	13.25
D	11.61	4.57	11.61	4.57	11.61	4.57
E	40.49	15.94	34.80	13.70	45.21	17.80
F	36.68	14.44	32.77	12.90	39.88	15.70
G	4.47	1.76	2.79	1.10	6.35	2.50
H	9.40	3.70	5.59	2.20	11.91	4.69
J	12.70	5.00	12.70	5.00	12.70	5.00
K	13.97	5.50	13.97	5.50	26.47	10.42

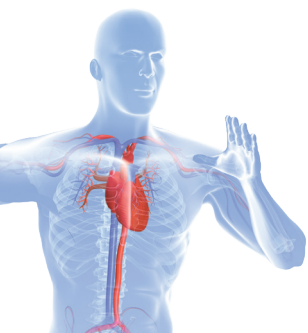
VERDERAIR EODD 2ND GENERATION VA-2E25



Performance chart



Datasheet Verderair VA-2E25-eu-v1



Find your local supplier at www.verderliquids.com

For construction, installation and floor mounting drawings
please contact your local authorised Verderair® distributor.