

# Verderflex

## VP Dual pH-Redox double peristaltic system

VERDERFLEX®

### Description

Advanced digital proportional dosing pump system with an LCD display suitable for pH/Redox control.

### Features

- Double system with built in pH Redox and T° controller
- Flow rate display in percentage
- 3 different functioning mode: constant, ON / OFF, proportional
- Password protected
- Start up delay
- Time overdose alarm
- Alarm relay ( free contact )
- Default parameter restore option
- pH Stability mode (settable)
- STAND BY modality
- Over / under range signal
- Backlit LCD
- IP 65
- 230 VAC 50-60 Hz
- Level probe input
- Low sensor input
- ON / OFF switch
- Including SCHUKO plug



### Materials

	Standard material	Optional
Pump body	PP	-
Roller	DELFIN	-
Tube	Santoprene	-
Power consumption	8 Watt	-
Nuts	PP M10	-
Fittings	PP tube 4 x 6	-
Probe connection	BNC	-
Foot filter	Lip valve	-
Suction tube	PVC 4 x 6	-
Delivery tube	PE 4 x 6	-

### Technical data

Standard	Flow max l/h	Pressure bar	Max opera- ting temp °C	Max cc/min	Tube material	tube int x ext mm	Body pump	Power c Watt	rpm	Weight kg
pH pump	1.5	1	65	25	Santoprene	5.8 x 9.3	PP	19	10	8
Redox pump	3 6	1	65	50 100	Santoprene	5.8 x 9.3	PP	19	20 40	3.6

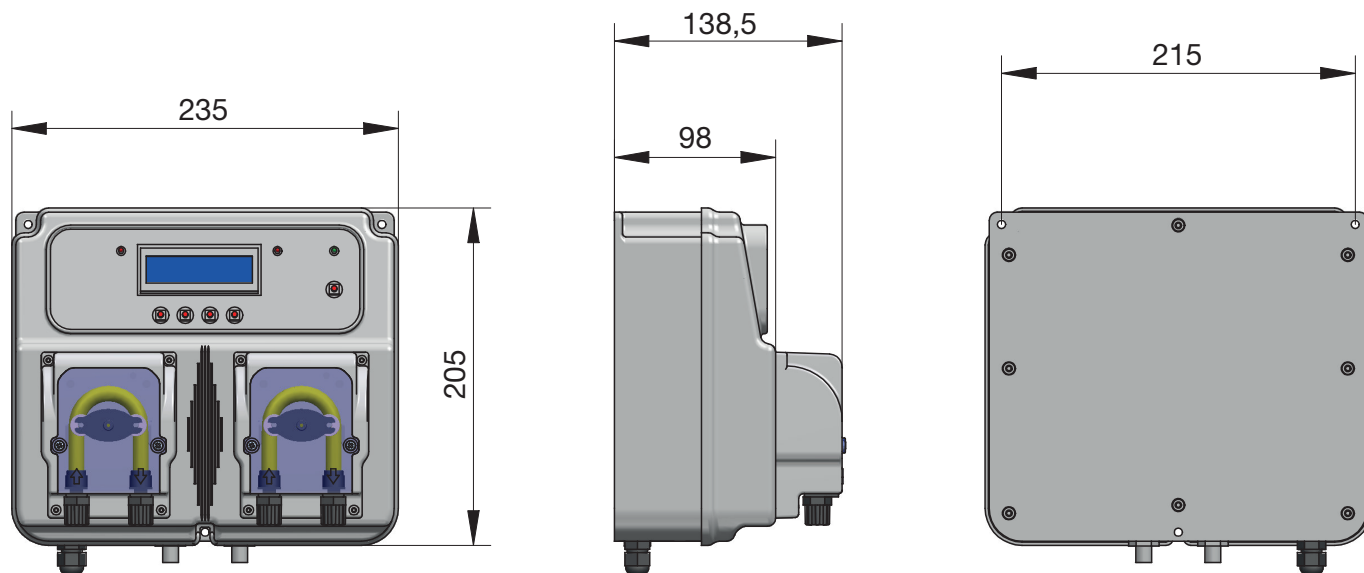
# Verderflex

## VP Dual pH-Redox double peristaltic system



### Dimensions

(in mm)



VERDERFLEX®

### Standard installation kit

1/2" PP-VL-VT Lip	Foot Filter PP-VL-VT	Suction tube 2 m PVC 4x6	Delivery tube 2 m PE 4x6
			

flex\_VP-Dual-pH-Rx\_2016\_rev1\_UK-(uk)



Find your local supplier  
at [www.verderflex.com](http://www.verderflex.com)

For construction, installation and mounting drawings  
please contact your local authorised Verderdos distributor.

**VERDER**  
passion for pumps