

# Verderflex

## VP2-RX peristaltic tube pump

### Description

Proportional peristaltic tube pump for pH control. Suitable for dosing oxidants or dechlorination products.

### Features

- built in redox / Orp controller
- Instant display of redox value
- Automatic detection of redox probe efficiency
- Semi-automatic calibration on just one value: 468 mV
- Programming over the entire range of 0..999 mV
- Easy to maintain
- IP 55 protection
- Including SCHUKO Plug
- Probe connection input: BNC
- On/off switch



### Optional

- Level probe input instead of overdose alarm

### Technical data

	Max l/h	Pressure bar	Max cc	Max operating temperature °C	Tubing material	Tube ø mm	Pump body material	Power c Watt	rpm	Weight kg
04-01	4	1	66.67	65	Santoprene	5.8 x 9.4	PP	35	30	1

### Standard installation kit

1/2" PP-VL-VT Talco Lip	Foot Filter PP-VL-VT	Suction tube 2 m PVC 4x6	Delivery tube 2 m PE 4x6

### Additional Redox installation kit

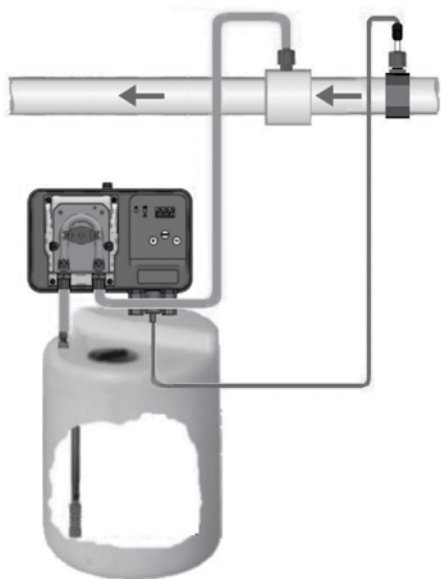
Redox probe 5 m cable epoxy body	Buffer solution 468 mV	Nr. 2 saddle clamps d.50 att. 1/2"	1/2" PP probe holder

# Verderflex

## VP2-RX peristaltic tube pump

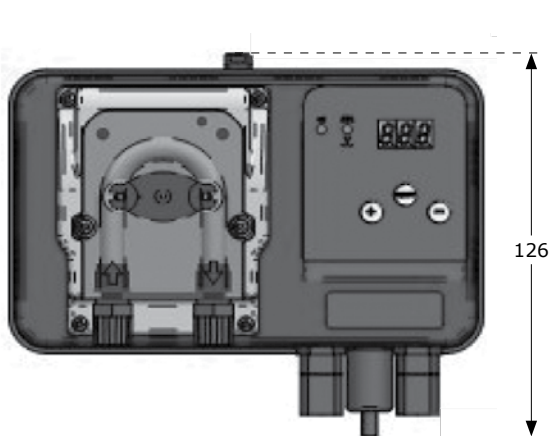
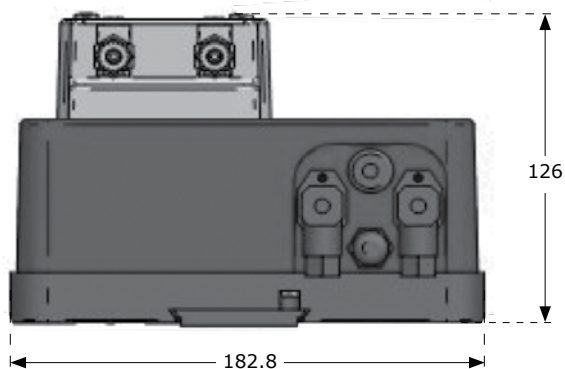


VERDERFLEX®



### Dimensions

(in mm)



flex\_VP2-Rx\_2015\_rev1\_UK-(uk)



Find your local supplier  
at [www.verderdos.com](http://www.verderdos.com)

For construction, installation and mounting drawings  
please contact your local authorised Verderdos distributor.

**VERDER**  
passion for pumps