

D, T, & W Series

TECHNAFLO

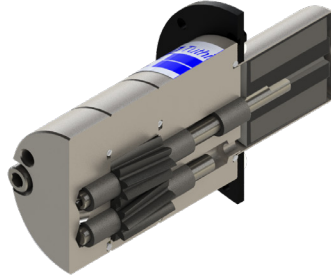
*Precise Flow Rate
Magnetically Coupled Precision Pumps*

MAGNETICALLY COUPLED EXTERNAL GEAR PUMPS

...with more than 40 years of experience

The TechnaFlo Series pumps are engineered to deliver precise and accurate flow, completely leak free. This makes them the ideal solution for metering or dosing, as well as circulating applications where pump life and reliability are critical.

D SERIES PUMPS



EXCEPTIONAL PUMP LIFE

- 5 bearings to support shaft deflection
- No dynamic seals for leak-free operation
- 20,000 hour pump life

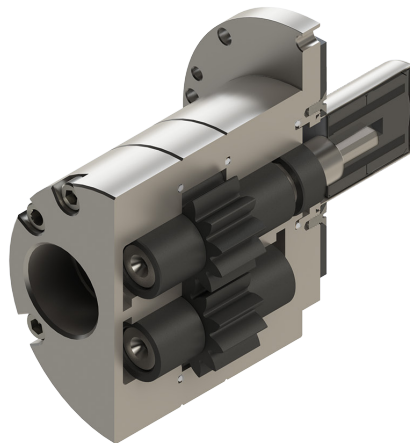
OUTSTANDING PERFORMANCE

- Metering accuracy within 1%
- Pulse-free flow
- Consistent flow can handle high differential pressures

WIDE COMPATIBILITY

- 316 SS or Hastelloy C construction
- Highly-engineered plastics for gears and bearings
- Standard offering covers a wide range of applications

T SERIES PUMPS



METERING CAPABILITIES

- **Accuracy**
 - Metering accuracy within 1%
- **Will Not Vapor Lock**
 - PPS and PEEK gears can handle mixed-phase fluids
- **Smooth Flow**
 - Rotary external gear pumps do not require pulsation dampeners
- **Low NPSH Requirement**
- **Self Priming**

MOTOR & DRIVE OPTIONS

D & T series pumps have a variety of drive options for constant speed or variable speed requirements.

- NEMA Face
- BLDC
- IEC Flanged



D SERIES



Flow range: 0.6 to 121 GPH (2.3 to 458 LPH)
 Nominal pressures to 250 PSI (17.2 BAR)
 System pressure to 500 PSI (34.5 BAR)
 Viscosities from 0.3 CPS to 2,000 CPS without speed reduction
 Temperatures: -50°F to 350°F (-46°C to 176°C)
 ATEX Certified

DISPLACEMENT	MAXIMUM DIFFERENTIAL PRESSURE				FLOW @ 0 PRESSURE	
	INTERMITTENT		CONTINUOUS		3500 RPM	2900 RPM
	PSI	BAR	PSI	BAR	GPH	LPH
.11	150	10.3	150	10.3	6	18
.19	150	10.3	150	10.3	10	31
.23	250	17.2	250	17.2	12	38
.38	250	17.2	250	17.2	20	63
.57	250	17.2	250	17.2	30	94
.68	250	17.2	200	13.8	35	112
.80	250	17.2	200	13.8	42	132
.99	200	13.8	140	9.7	52	164
1.2	200	13.8	140	9.7	63	198
1.3	175	12.1	125	8.6	68	215
1.6	150	10.3	100	6.9	84	264
2.0	150	10.3	100	6.9	105	331
2.3	150	10.3	100	6.9	121	380

Maximum speed is 5000 RPM

T SERIES



Flow range: 20 to 650 GPH (75 to 2460 LPH)
 Nominal pressures to 250 PSI (17.2 BAR)
 System pressure to 500 PSI (34.5 BAR)
 Viscosities from 0.3 CPS to 2,000 CPS without speed reduction
 Temperatures: -50°F to 350°F (-46°C to 176°C)
 ATEX Certified

DISPLACEMENT	MAXIMUM SPEED	MAXIMUM DIFFERENTIAL PRESSURE				FLOW @ 0 PRESSURE	
		INTERMITTENT		CONTINUOUS		3500 RPM	2900 RPM
ML/REV	RPM	PSI	BAR	PSI	BAR	GPH	LPH
2.6	5000	250	17.2	150	10.3	137	430
5.3	5000	145	10	100	6.9	279	876
7.9	4000	95	6.6	70	4.8	416	1306
8.0	4000	150	10.3	125	8.6	421	1343
12.0	4000	120	8.2	100	6.9	650	2015

W SERIES PUMPS



W Series is based on D & T Series platforms with standard enhancements:

- Driven magnets are completely seal welded to stand up to aggressive chemicals
- 316 SS or Hastelloy C metallurgy standard
- Chemical-resistant magnet housing coating standard



INDUSTRIES AND APPLICATIONS

- Agriculture
- Biodiesel
- Chemical
- Electronics Cooling
- Food & Beverage
- Imaging Cooling
- Medical Equipment
- Oil & Gas
- Paints, Coating, & Printing Inks
- Personal Products
- Pulp & Paper Additives
- Semiconductor Equipment
- Transportation
- Water & Wastewater Treatment



Ingersoll Rand

12500 South Pulaski Road
Alsip, Illinois 60803 USA
P: 708.389.2500
Alsip@Tuthill.com

Birkdale Close
Manners Industrial Estate
Ilkeston, Derbyshire DE7 8YA UK
P: 44.0.115.932.5226
Ilkeston@Tuthill.com



© 2022 Ingersoll Rand
IR-0922-005 EN