

VERDERFLEX[®]

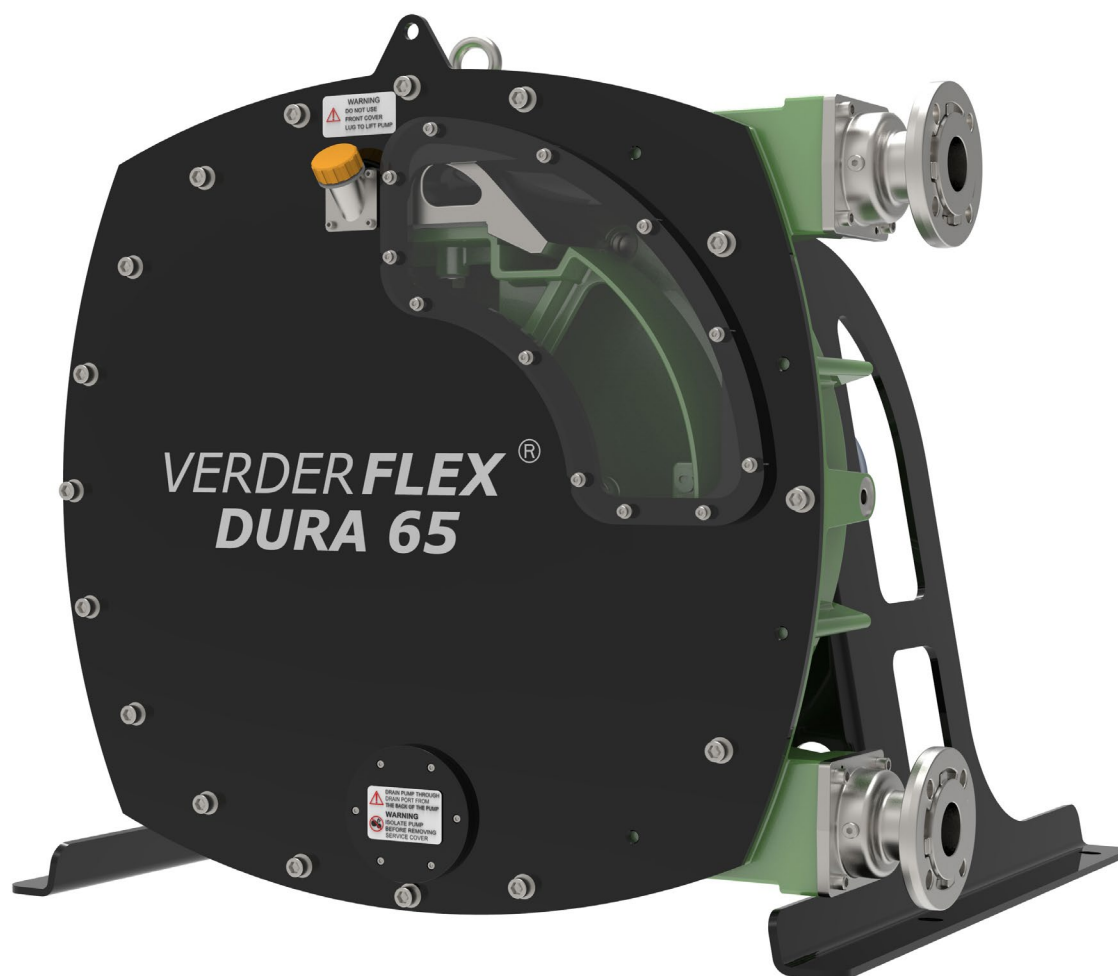
Peristaltic Hose Pump

Original Operating Manual

Dura 65

Version 1.0v-05/2021

Print-No. 01



Version 1.0v-05/2021
Print-No. 01

Dura 65



The information in this document is essential for the safe operation and servicing of Verderflex[®] Dura 65 pumps. This document must be read and understood thoroughly prior to installation of unit, electrical connection and commissioning.

Table of Contents

| | | | |
|-----------------------------|---|--|--|
| 1 | About this Document | | |
| 1.1 | Target Groups | | |
| 1.2 | Warnings and Symbols Used in the Manual | | |
| 2 | Safety | | |
| 2.1 | Intended Use | | |
| 2.2 | General Safety Instructions | | |
| 2.2.1 | Product Safety | | |
| 2.2.2 | Obligation of the Operating Company | | |
| 2.2.3 | Obligation of Personnel | | |
| 2.3 | Specific Hazards | | |
| 2.3.1 | Hazardous Pumped Liquids | | |
| 2.3.2 | Sharp Edges | | |
| 2.3.3 | ATEX Environment | | |
| 3 | Transport, Storage and Disposal | | |
| 3.1 | Transport | | |
| 3.1.1 | Unpacking and Inspection on Delivery | | |
| 3.1.2 | Lifting | | |
| 3.2 | Storage Conditions | | |
| 3.3 | Interim Storage After Using the Pump | | |
| 3.4 | Interim Storage Before Using the Pump | | |
| 3.5 | Disposal | | |
| 4 | Layout and Function | | |
| 4.1 | Design Details | | |
| 4.2 | Labelling | | |
| 4.2.1 | Name Plate | | |
| 4.3 | Layout | | |
| 4.4 | Bearings and Lubrication | | |
| 5 | Installation and Connection | | |
| 5.1 | Preparing for Installation | | |
| 5.1.1 | Checking the Ambient Conditions | | |
| 5.1.2 | Preparing the Installation Site | | |
| 5.1.3 | Preparing the Foundation and Surface | | |
| 5.2 | Installation at Site | | |
| 5.3 | Planning the Pipes | | |
| 5.3.1 | Specifying Supports and Flange Connections | | |
| 5.3.2 | Specifying Nominal Diameters | | |
| 5.3.3 | Specifying Pipe Lengths | | |
| 5.3.4 | Optimizing Cross-Section of Pipe Work | | |
| 5.3.5 | Providing Safety and Control Devices (recommended) | | |
| 5.3.6 | Solids Size | | |
| 5.4 | Installing the Motor and Gearbox (where not supplied) | | |
| 5.4.1 | Connecting to Power Supply | | |
| 5.5 | Shimming | | |
| 5.6 | Fitting the Inspection Window | | |
| 5.7 | Installing the Hose | | |
| 5.8 | Flange Assembly | | |
| 5.8.1 | Port Flange Assembly without Insert | | |
| 5.8.2 | Port Flange Assembly with Insert | | |
| 5.9 | Filling the Pump with Lubricant | | |
| 5.10 | Connecting the Pipes | | |
| 5.10.1 | Installing the Piping | | |
| 6 | Operation | | |
| 6.1 | Pre-commissioning the Pump | | |
| 6.1.1 | Checking the Direction of Rotation with Dry Pump | | |
| 6.1.2 | Starting the Pump | | |
| 6.1.3 | Switching OFF the Pump | | |
| 6.2 | Commissioning the Pump | | |
| 6.2.1 | Switching ON the Pump | | |
| 6.2.2 | Switching OFF the Pump (Refer to → 6.1.3) | | |
| 6.3 | Shutting Down the Pump | | |
| 6.4 | Start-up Following a Shutdown Period | | |
| 6.5 | Operating the Stand-by Pump | | |
| 7 | Inspection, Maintenance and Repair | | |
| 7.1 | Inspection | | |
| 7.2 | Maintenance | | |
| 7.2.1 | Cleaning the Pump | | |
| 7.2.2 | Cleaning Protocol for Hoses | | |
| 7.2.3 | Maintenance Schedule | | |
| 7.3 | Repair | | |
| 7.3.1 | Preparations for Dismounting | | |
| 7.3.2 | Returning the Pump to the Manufacturer | | |
| 7.3.3 | Rebuild/Repair | | |
| 7.4 | Drain/Change the Lubricant | | |
| 7.5 | Grease the Gearbox Adaptor/Bearing Carrier | | |
| 7.6 | Hose Change | | |
| 7.7 | Replace the Rotor Shoe | | |
| 7.8 | Replace the Gearbox Adaptor/Bearing Carrier Seal | | |
| 7.9 | Replace the Bearing Seal Kit and Bearings | | |
| 7.10 | Ordering Spare Parts | | |
| 8 | Troubleshooting | | |
| 8.1 | Pump malfunctions | | |
| 9 | List of Figures and Tables | | |
| 9.1 | List of Figures | | |
| 9.2 | List of Tables | | |
| 10 | EC Declaration of Conformity | | |
| 11 | Trademarks | | |
| Appendix A - Dura 65 | | | |
| 1 | Technical Specifications | | |
| 1.1 | Pump Specifications | | |
| 1.2 | Ambient conditions | | |
| 1.3 | Tightening torques | | |
| 1.4 | Preservatives | | |
| 1.5 | Cleaning agents (After hose is removed) | | |
| 1.6 | Lubricants | | |
| 1.7 | Solids Size Handling | | |
| 1.8 | Shimming Chart | | |

1 About this Document

The Verderflex Dura 65 range of peristaltic pumps have been developed according to the latest technology and subject to continuous quality control. These operating instructions are intended to facilitate familiarisation with the pump and its designed use. This manual will act as a guide for operating the pump. You are advised to follow these guidelines to operate the pump correctly. These operating instructions do not take local regulations into account; the operator must ensure that such regulations are strictly observed by all, including the personnel responsible for installation.

1.1 Target Groups

| Target Groups | Duty |
|-----------------------------|--|
| Operating Company | <ul style="list-style-type: none"> ▶ Keep this manual available at the operating site of the pump. ▶ Ensure that personnel read and follow the instructions in this manual and any other applicable documents, especially all safety instructions and warnings. ▶ Observe any additional rules and regulations referring to the system. |
| Qualified personnel, fitter | <ul style="list-style-type: none"> ▶ Read, observe and follow this manual and the other applicable documents, especially all safety instructions and warnings. |

Table 1 Target Groups

1.2 Warnings and Symbols Used in the Manual




| Warning | Risk Level | Consequences of disregard |
|--|-------------------------------|--|
|  DANGER | Immediate risk | Death, serious bodily harm |
|  WARNING | Potential acute risk | Death, serious bodily harm |
|  CAUTION | Potential hazardous situation | Potential damage to the pump |
| Note | For information | Possible incorrect use/maintenance of pump |

Table 2 Warnings Used in the Manual




| Symbol | Meaning |
|---|---|
|  | Safety warning sign in accordance with DIN 4844 - W9 <ul style="list-style-type: none"> ▶ Take note of all information highlighted by the safety warning sign and follow the instructions to avoid injury or death. |
| ▶ | Instruction |
| 1., 2., | Multiple-step instructions |
| ☐ | Checklist |
| → | Cross-reference |
|  | Information |

Table 3 Symbols Used in the Manual

2 Safety

 The manufacturer does not accept any liability for damage resulting from disregard of this documentation.


2.1 Intended Use

- ▶ Only use the pump to handle compatible fluids as recommended by the manufacturer (→ Appendix A).
- ▶ Adhere to the operating limits.
- ▶ Consult the manufacturer regarding any other use of the pump.
- ▶ Pumps delivered without a motor must be fitted with a motor in accordance with the provisions of EC Machinery Directive 2006/42/EC.

Prevention of obvious misuse (examples)

- ▶ Note the operating limits of the pump with regard to temperature, pressure, flow rate and motor speed (→ Appendix A).
- ▶ Do not operate the pump with any inlet/outlet valves closed
- ▶ Only install the pump as recommended in this manual. For example, the following are not allowed:
 - Installing the pump without proper support.
 - Installation in the immediate vicinity of extreme hot or cold sources.

2.2 General Safety Instructions

 Observe the following regulations before carrying out any work.

2.2.1 Product Safety

- These operating instructions contain fundamental information which must be complied with during installation, operation and maintenance. Therefore this operating manual must be read and understood both by the installing personnel and the responsible trained personnel / operators prior to installation and commissioning, and it must always be kept easily accessible within the operating premises of the machine.
Not only must the general safety instructions laid down in this chapter on “Safety” be complied with, but also the safety instructions outlined under specific headings.
- Operate the pump only if it and all associated systems are in good functional condition.
- Only use the pump as intended, fully aware of safety and risk factors involved and the instructions in this manual.
- Keep this manual and all other applicable documents complete, legible and accessible to personnel at all times.
- Refrain from any procedure or action that would pose a risk to personnel or third parties.
- In the event of any safety-relevant faults, shut down the pump immediately and have the malfunction corrected by qualified personnel.
- The installation of the pump must comply with the requirements of installation given in this manual and any local, national or regional health and safety regulations.

2.2.2 Obligation of the Operating Company

Safety-conscious operation

- Ensure that the following safety aspects are observed and monitored:
 - Adherence to intended use
 - Statutory or other safety and accident-prevention regulations
 - Safety regulations governing the handling of hazardous substances if applicable
 - Applicable standards and guidelines in the country where the pump is operated
- Make personal protective equipment available pertinent to operation of the pump.

Qualified personnel

- Ensure that all personnel tasked with work on the pump have read and understood this manual and all other applicable documents, including the safety, maintenance and repair information, prior to use or installation of the pump.
- Organize responsibilities, areas of competence and the supervision of personnel.
- Have all work carried out by specialist technicians only.
- Ensure that trainee personnel are under the supervision of specialist technicians at all times when working with the pump.

Safety equipment

Provide the following safety equipment and verify its functionality:

- For hot, cold and moving parts: safety guarding should be provided by the operating company.
- For potential build up of electrostatic charge: ensure appropriate grounding if and when required.

Warranty

The warranty is void if the customer fails to follow any Instruction, Warning or Caution in this document. Verder has made every effort to illustrate and describe the product in this document. Such illustrations and descriptions are however, for the sole purpose of identification and do not express or imply a warranty that the products are merchantable or fit for a particular purpose, or that the products will necessarily conform to the illustration or descriptions.

Obtain the manufacturer's approval prior to carrying out any modifications, repairs or alterations during the warranty period. Only use genuine parts or parts that have been approved by the manufacturer.

For further details regarding warranty, refer to terms and conditions.

2.2.3 Obligation of Personnel



It is imperative that the instructions contained in this manual are complied with by the operating personnel at all times.

- ▶ Pump and associated components:
 - Do not lean or step on them or use as climbing aid
 - Do not use them to support boards, ramps or beams
 - Do not use them as a fixing point for winches or supports
 - Do not de-ice using gas burners or similar tools
- ▶ Do not remove the safety guarding for hot, cold or moving parts during operation.
- ▶ Reinstall the safety equipment on the pump as required by regulations after any repair / maintenance work on the pump.

2.3 Specific Hazards

2.3.1 Hazardous Pumped Liquids

Follow the statutory safety regulations when handling hazardous pumped liquids (e.g. hot, flammable, poisonous or potentially harmful).

Use appropriate Personal Protective Equipment when carrying out any work on the pump.

2.3.2 Sharp Edges

Pump parts, such as the shims can be sharp

- Use protective equipment when carrying out any work on the pump.


2.3.3 ATEX Environment

Failure to implement the necessary safety procedures and failure to disclose the intended use of a pump within an explosive atmosphere as laid down in latest EC Atex Directive 2014/34/EU will void all warranty for the product. (Refer warranty terms and conditions for more details).

Verder shall not be liable for any injuries, losses or damages including, but not limited to any personal injuries, anticipated or lost profits, incidental damages, consequential damages, costs, time charges, or other damages or losses, in connection with the instrument, its use or any replacement parts if the customer fails to follow any Instruction, Warning or Caution in this document.

3 Transport, Storage and Disposal

3.1 Transport

 Always transport the pump in a stable position and ensure that the pump is securely attached to the pallet.

3.1.1 Unpacking and Inspection on Delivery

1. Report any transport damage to the manufacturer/distributor immediately.
2. Retain the pallet if any further transport is required.

3.1.2 Lifting

 **DANGER**

Death or crushing of limbs can be caused by falling loads!

1. Use lifting gear appropriate for the total weight to be transported.
2. Make sure the pump and accessories are lifted and moved by qualified lifting personnel equipped with suitable lifting gear.
3. Fasten the lifting gear to the pump housing lifting eye as shown in the following illustration.
4. Do not lift the pump using the front cover lifting eye.
5. Do not stand under suspended loads.



Figure 1 Fastening Lifting Gear to Pump

3.2 Storage Conditions

1. Make sure the storage location meets the following conditions:
 - Dry, humidity not to exceed 85%, non-condensing
 - Out of direct sunlight
 - Frost-free; temperature range -5° to +45°C
 - Vibration-free
 - Dust-free
2. Depending on these conditions, it may be advisable to place a moisture-absorbing product, such as Silica gel, inside the pump's housing or to coat the pump's inner surfaces with moisture-repelling oil, such as WD40, whilst the pump is stored.
3. Hoses should be stored as supplied in their wrapper and should be stored away from direct sunlight, flat without any bends or kinks and at room temperature, with end caps fitted.
4. Lubricants should be stored under normal warehouse conditions with their caps securely fastened.
5. Gearboxes may require intermittent attention as indicated by the gearbox manufacturer's recommendations.

3.3 Interim Storage After Using the Pump

- ▶ The hose should be removed from the pump.
- ▶ The pump housing lubricant should be drained.
- ▶ The pump housing should be washed out, allowed to dry and any external build up of product removed.

3.4 Interim Storage Before Using the Pump

 **CAUTION**

Pump damage caused by interim storage!

- ▶ Allow the pump to reach ambient temperature before use.
- ▶ Please observe the storage recommendations and use by dates which apply to hose you may wish to bring into service after storage.

3.5 Disposal


With prolonged use, pump parts can be contaminated by hazardous pumped liquids to such an extent that cleaning may be insufficient.

WARNING


Risk of poisoning and environmental damage by the pumped liquid or oil!

- ▶ Use suitable personal protective equipment when carrying out any work on the pump.
- ▶ Prior to disposal of the pump:
 - Drain and dispose of the lubricant in accordance with local regulations.
 - Collect and dispose of any leaking pumped liquid or oil in accordance with local regulations.
 - Neutralize residues of pumped liquid in the pump.
- ▶ Dispose of the pump and associated parts in accordance with local regulations.

4 Layout and Function

 The medium to be pumped does not come into contact with any moving parts and is totally contained within the hose. A rotor passes along the length of the hose, compressing it. This motion forces the contents of the hose directly in front of the rotor to move forward along the length of the hose in a 'positive displacement' peristaltic movement. In the wake of the rotor's compressing action, the natural elasticity of the polymer reinforced rubber forces the hose to open and regain its round profile, creating suction pressure, which recharges the pump.

4.1 Design Details

 Verderflex Dura 65 is a twin lobe, single rotor, peristaltic pump with 1/4 port flange design which clamps and seals in one easy movement to speed up hose replacement.

4.2 Labelling

4.2.1 Name Plate

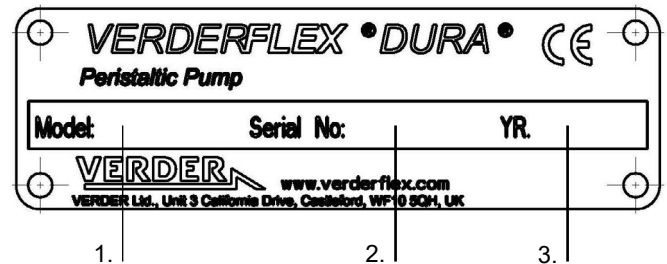
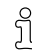


Figure 2 Name Plate

1. Pump Type
2. Serial Number
3. Year of Manufacture

 When requesting spares, the model and serial number should always be quoted.

4.3 Layout

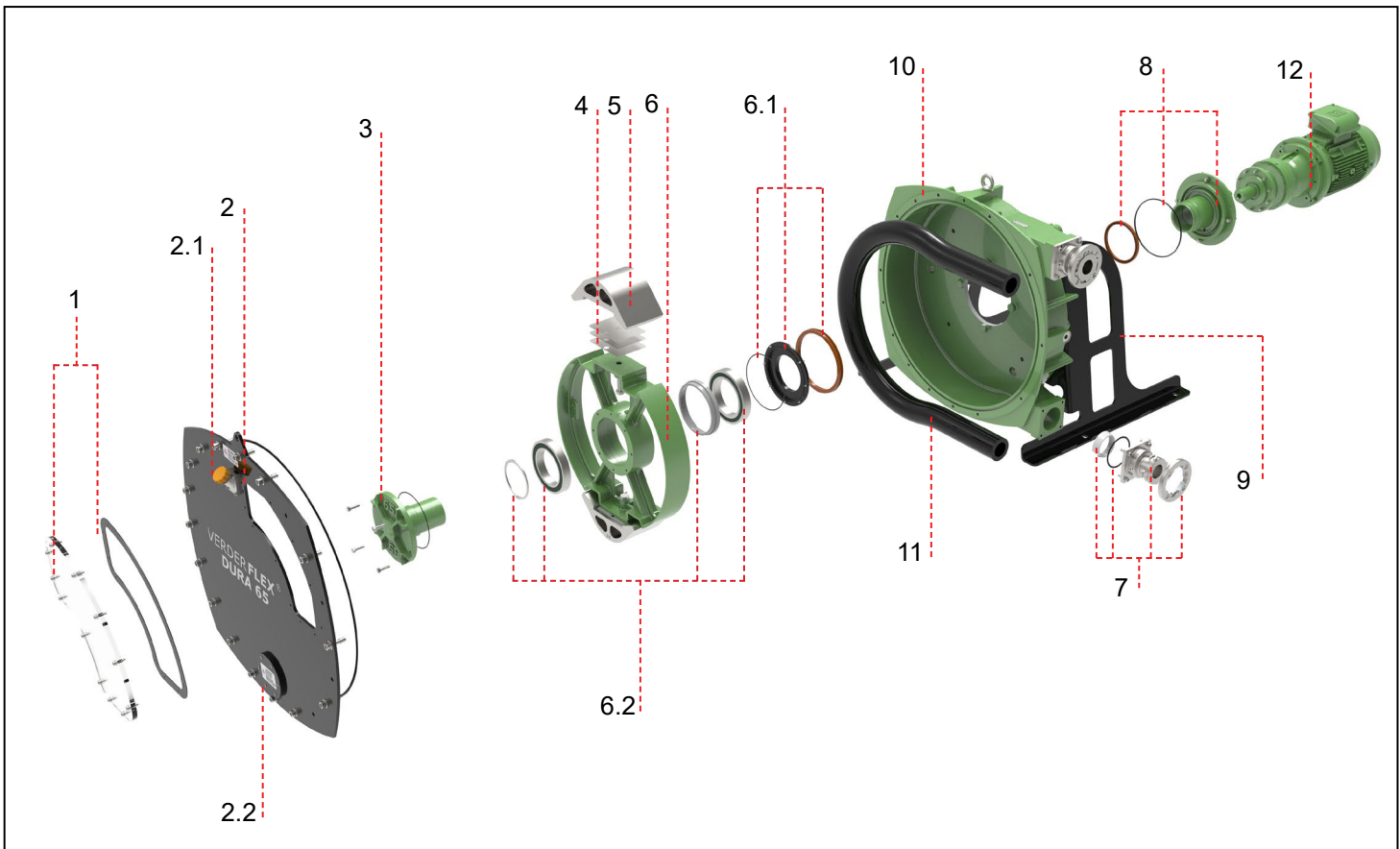


Figure 3 Layout Dura 65 (Generic View)

| | | | | | |
|-----|--|-----|----------------------|----|----------------------------------|
| 1 | Front Cover Inspection Window and Gasket | 4 | Shims Pack | 8 | Gearbox Adaptor/ Bearing Carrier |
| 2 | Front Cover Assembly | 5 | Rotor Shoe Assembly | 9 | Frames |
| 2.1 | Filler Port | 6 | Rotor Assembly | 10 | Pump Housing |
| 2.2 | Service Cover | 6.1 | Bearing Seal Kit | 11 | Hose |
| 3 | Drive Coupling and O-Ring | 6.2 | Bearing Kit | 12 | Motor |
| | | 7 | Port Flange Assembly | | |

4.4 Bearings and Lubrication

- ▶ Pump: To be filled at installation with appropriate lubricant if not supplied pre filled. (→ Appendix A)
- ▶ Bearings are sealed units and need no additional lubricant.
- ▶ Grease the gearbox adaptor/bearing carrier through the grease nipple. (→ 7.2.3 Maintenance Schedule)

5 Installation and Connection



CAUTION

Material damage due to unauthorized modification on pump!

- ▶ Unauthorized modification will invalidate the warranty.

5.1 Preparing for Installation

5.1.1 Checking the Ambient Conditions

1. Make sure that the operating conditions are complied with (→ Appendix A).
2. Make sure the required ambient conditions are fulfilled (→ Appendix A).

5.1.2 Preparing the Installation Site

- ▶ Ensure the installation site meets the following conditions:
 - Pump is freely accessible from all sides.
 - Sufficient space is available for the installation/removal of the pipes and for maintenance and repair work, especially for the removal and installation of the hose.

5.1.3 Preparing the Foundation and Surface

- ▶ Make sure the foundation and surface meet the following conditions:
 - Level
 - Clean (no oil, dust or other impurities)
 - Capable of bearing the weight of the pump and all operating forces
 - Ensure the pump is stable and cannot tip over
 - Concrete foundation: Standard concrete strong enough to support the pump under load.

5.2 Installation at Site


1. Lift the pump. (→ 3.1.2 Lifting)
2. Put the pump down at the installation site.
3. Bolt the pump down; use all 4 holes.

5.3 Planning the Pipes

5.3.1 Specifying Supports and Flange Connections

- When planning pipe runs take every possible operating condition into account:
 - Cold/warm medium
 - Empty/full
 - Unpressurized/pressurized
 - Positional change of the flanges
- Ensure that the pipe supports are designed to accommodate any movement from environmental or pressure imposed forces.

5.3.2 Specifying Nominal Diameters

-  Keep the flow resistance in the pipes as low as possible. Pipe work immediately connected to both inlet and outlet port of the pump should be straight runs for at least 1 metre.

Ensure that nominal pipe diameter is at least 1.5 times nominal pump-hose diameter to reduce pulsation.

5.3.3 Specifying Pipe Lengths


- Keep pipe work as short and direct as possible.
- To allow easy access when changing hoses, include a short, removable section adjacent to the port flanges.

5.3.4 Optimizing Cross-Section of Pipe Work

- Avoid bending radii of less than $10r$ (r - the radii of nominal piping).
- Avoid abrupt changes of cross-section along the piping.

5.3.5 Providing Safety and Control Devices (recommended)


Making provisions for isolating and shutting off pipes

-  For maintenance and repair work.
- ▶ Provide shut-off valves in the suction and discharge lines.

Allowing safe removal of product

- ▶ Include drainage taps in suction and discharge lines at the lowest point.

5.3.6 Solids Size

-  Large solids can potentially damage the pump, for a specific solids size refer to (→ Appendix A).
For solids larger than mentioned in the table, we advise filtering before entering the pump

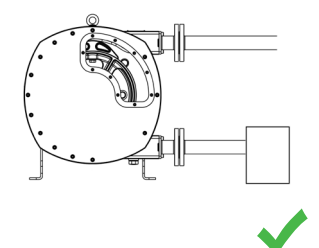
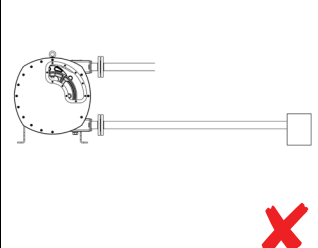
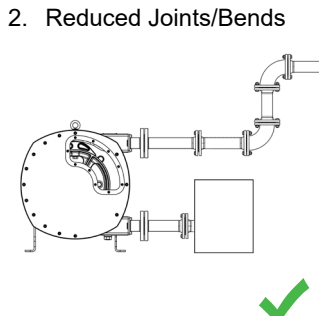
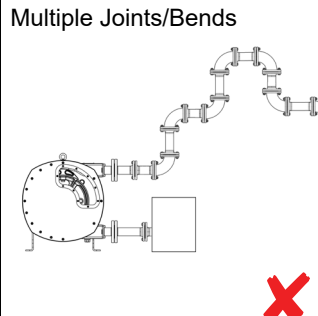
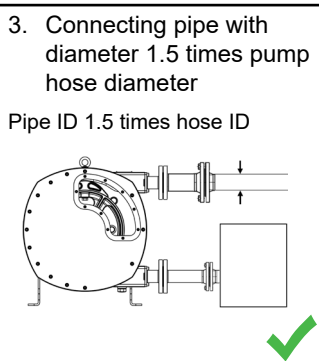
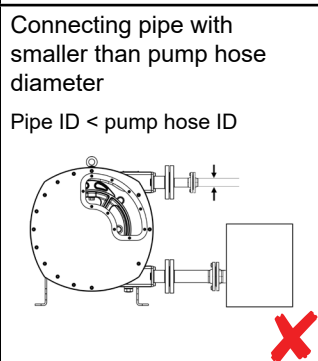
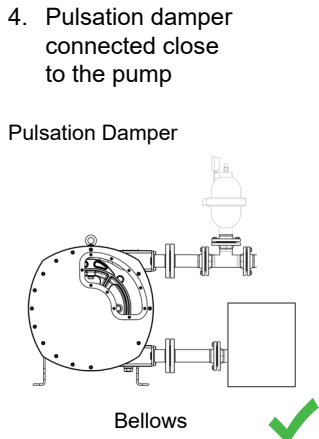
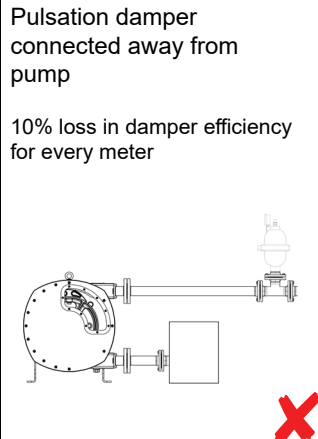
| Do's | Don'ts |
|---|---|
| <p>1. Short pipe run to suction side</p>  | <p>Long pipe run to suction side</p>  |
| <p>2. Reduced Joints/Bends</p>  | <p>Multiple Joints/Bends</p>  |
| <p>3. Connecting pipe with diameter 1.5 times pump hose diameter</p> <p>Pipe ID 1.5 times hose ID</p>  | <p>Connecting pipe with smaller than pump hose diameter</p> <p>Pipe ID < pump hose ID</p>  |
| <p>4. Pulsation damper connected close to the pump</p> <p>Pulsation Damper</p>  <p>Bellows</p> | <p>Pulsation damper connected away from pump</p> <p>10% loss in damper efficiency for every meter</p>  |

Table 4 Do's and Don'ts

5.4 Installing the Motor and Gearbox (where not supplied)

DANGER

Death or crushing of limbs caused by falling loads!

- ▶ Use lifting gear appropriate for the total weight to be transported.
- ▶ Make sure the pump and accessories are lifted and moved by qualified lifting personnel equipped with suitable lifting gear.
- ▶ Do not stand under suspended loads.

Note

Please consult the motor and gearbox manual for the orientation of gearbox and use of a breather.

1. Attach the key to gearbox shaft.
2. Apply anti seize grease to the gearbox shaft.
3. Attach the gearbox to the pump housing.
4. Fit the screw hex head with washers to fasten the gearbox to the gearbox adaptor.

Note

Please note that the size and number of the screws depends on the type of the gearbox as follows:

- ▶ For the 303/304/305 Gearboxes, M12 Screws x10
- ▶ For the 306 Gearbox, M14 Screws x 12

5. Use a torque wrench to apply tightening torque (→ Appendix A).

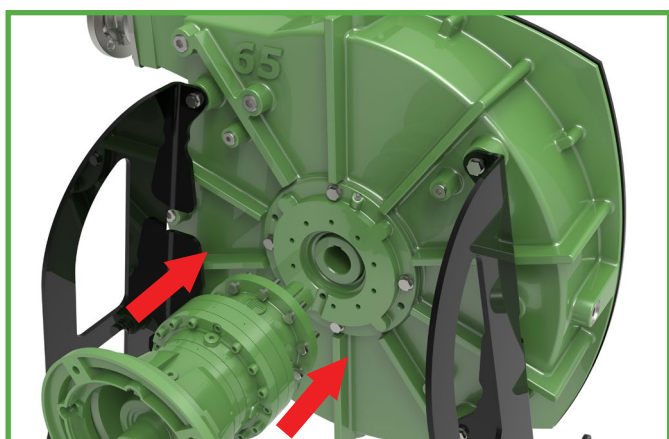


Figure 4 Installing the Gearbox

6. Apply anti seize grease to the motor shaft.
7. Attach the motor to the gearbox.

Note

Please note that the size and number of the screws depends on the type of the motor as follows:

- ▶ For the 112/132 Motors, M12 Screws x 4
- ▶ For the 160/180 Motors, M16 Screws x 4

8. Use a torque wrench to apply tightening torque (→ Appendix A).

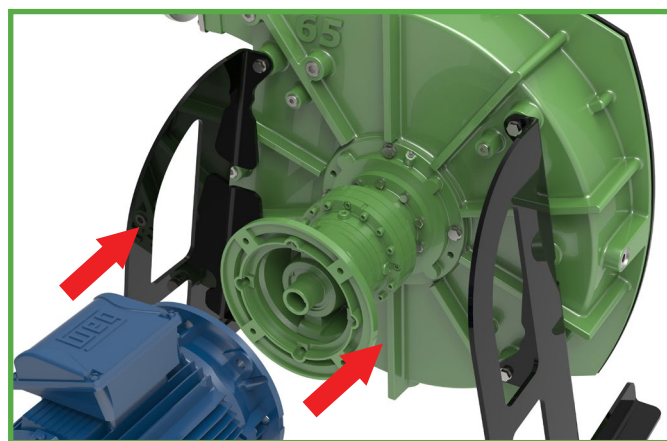


Figure 5 Installing the Motor

5.4.1 Connecting to Power Supply


DANGER

Risk to health due to electric shock!

- ▶ All electrical work must be carried out by qualified electricians.

1. Connect motor to the rated power supply. Ensure the correct gland is used and that the earth connection is made and secured.
2. Wiring instructions are available within the motor junction box.
3. Run the pump slowly to ensure correct rotation.
4. For more information on wiring the motor please refer to the relevant motor manual.

5.5 Shimming

 The pump must be shimmed for the required discharge pressure with the following procedure (→ Appendix A).

1. Please note that the Dura 65 can be shimmed without draining the lubricant. Nevertheless, for changing the lubricant from the pump housing, please refer to (→ 7.4 Drain/Change the Lubricant).
2. Rotate the pump so that a rotor shoe is visible through the inspection window.
3. Remove the inspection window and gasket. Leave the bolts on the inspection window for reassembly.
4. Loosen the shoe bolt.
5. Remove any existing shims.
6. Replace with correct number of shims for the required pressure (→ Appendix A).
7. Tighten the shoe bolt (→ Appendix A).
8. Repeat with the other rotor shoe.
9. Ensure the lubricant level is correct. (→ 5.9 Filling the Pump with Lubricant).
10. Replace the window and gasket ensuring it is fitted the correct way with the bolts (→ 5.6 Fitting the Inspection Window).



Figure 6 Shimming

5.6 Fitting the Inspection Window

1. Fit M8 cap head bolts with washers into the window. The window is threaded to make bolts captive and counter-bored on the back face.
2. Mount the gasket on to the bolts.
3. Mount the window unit, with the bolts and gasket, over the front cover, aligned as shown in Figure 7.
4. Nip the bolts down in sequence. Ensure that the bolts are not over-tightened. (→ Appendix A).

You can see the gasket pressing against the window as the bolts clamping force takes effect.

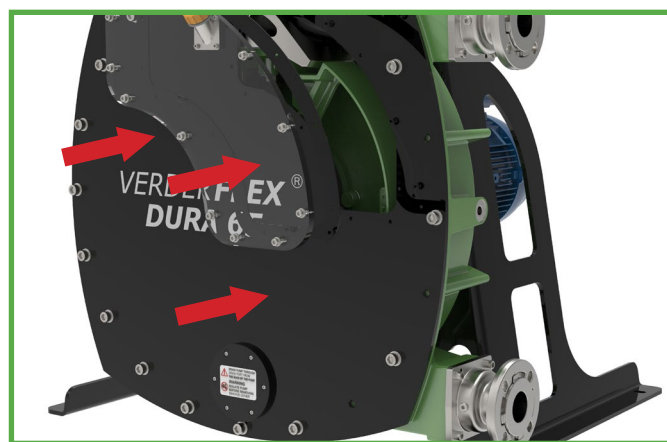


Figure 7 Fitting the Inspection Window

5.7 Installing the Hose

Connect the motor to the power supply and run the pump slowly to ensure correct connection.



Figure 8 Installing the Hose

1. Lubricate the hose generously with Verderlube/Verdersil.
2. Insert the hose into the lower port.
3. Run the pump forward and stop when the hose protrudes about 40mm.



CAUTION

Ensure the hose is installed as indicated in 5.8 Flange Assembly.

5.8 Flange Assembly

5.8.1 Port Flange Assembly Without Insert



CAUTION

Ensure the hose is installed as indicated in Figure 10 Hose and Flange Assembly.

1. Insert the clamp ring over the hose with the large diameter towards the pump and ensure that the hose is protruding 5 to 10 mm past the clamp ring.

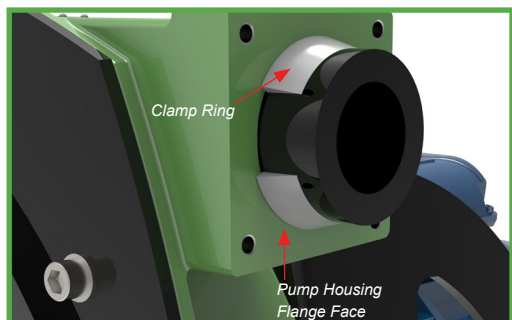


Figure 9 Clamp Ring Inserted

2. Fit the O-Ring to the port flange.
3. Apply some lubricant compatible with the pumped media to the port flange.
4. Make sure the O-Ring is in place in the face groove and push the port flange into the hose together.
5. Install the 4 bolts.
6. Tighten the bolts in a 1-3-4-2 sequence until the flange is evenly fitted. All 4 bolts should be fitted to each flange to avoid compromising the performance of the pump.
7. Ensure that the hose can be seen only through the drain port on the port flange. (Figure 10c)
8. Run the pump forward and stop when the hose is protruding 40 mm from the pump housing flange face. (Figure 10a)
9. Repeat steps 1 - 6 to complete assembly.
10. Fit the ¼ turn flange connector to both ports.


5.8.2 Port Flange Assembly With Insert

1. Fit the ¼ turn flange connector to both ports.
2. Slide the insert into the port flange and fix it with a counter flange. (Figure 10b)
3. Fit the flange-insert unit to the suction port. (Figure 10d)
4. Make sure the flange-insert unit is in the right position, then remove the counter flange. (Figure 10f)
5. Repeat steps 1 - 9 from (→ 5.8.1 Port Flange Assembly Without Insert) to complete assembly.

| Dura 65 - Hose and Flange Assembly | |
|--|--|
| 5.8.1 Port Flange Assembly without Insert | 5.8.2 Port Flange Assembly with Insert |
| <p>For Dura 65, install the hose in position and protruding 40 mm from the pump housing flange face (the side through which the hose had been inserted).</p> <p>Figure 10a</p> | <p>For Dura 65 port flange assembly with insert, we advise to use a counter flange to fix the insert and push the flange-insert unit in.</p> <p>Figure 10b</p> |
| <p>Figure 10c</p> | <p>Figure 10d</p> |
| <p>Figure 10e</p> | <p>Figure 10f</p> |

Figure 10 Hose and Flange Assembly (just for information)

5.9 Filling the Pump with Lubricant

 Safety data sheets for both Verderlube and Verdersil are available from the manufacturer for compatibility check.

1. Provide a suitable container to collect spilt lubricant.
2. Ensure compatibility of lubricant with the pumped liquid.
3. The pump housing can be filled with lubricant through the filler port.
4. Remove the breather cap from the filler port to fill the pump with lubricant.
5. Fill the pump housing with lubricant at level with the plate or partly submerge the plate. The indicator plate is visible through the non-ATEX inspection window.



Figure 11 Lubricant Level Indicator Plate

6. Refer to the Appendix A for the required quantity.



Figure 12 Filling the Pump with Lubricant

7. Position the breather cap and tighten it firmly.

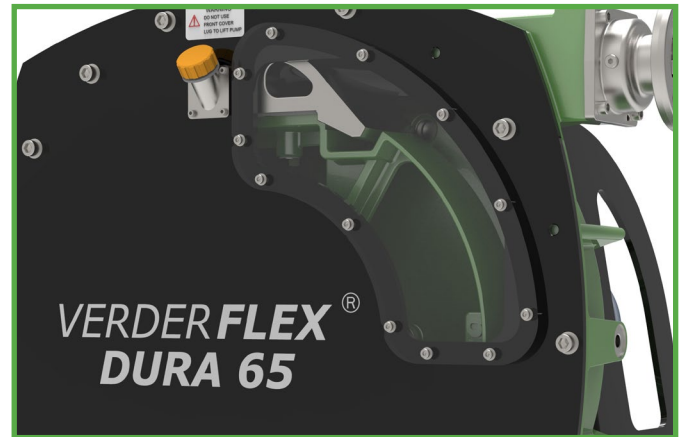


Figure 13 Positioning the Breather Cap

5.10 Connecting the Pipes

Note

Contamination of pumped media due to impurities in the pump!

- ▶ Care should be taken to avoid ingress of contaminants into the pumped media.

- Clean all piping parts and fittings prior to assembly.
- Ensure that the flange seal do not protrude inwards occluding the flow path.
- Remove flange covers on both the suction and discharge side prior to installation.

5.10.1 Installing the Piping

1. Check all fasteners are tightened (→ Appendix A).
2. Ensure that the 1/4 turn flange is correctly indexed.
3. Remove the transport and sealing covers from the pump.
4. Before connecting any piping to the pump; Ensure that the hose is properly secured by running the pump dry for 10–20 revolutions in both the directions.
5. Run the pipes in a continuous upward or downward slope to avoid air pockets.
6. Connect the piping.
7. Make sure that the nozzle loadings on flanges are not exceeded.

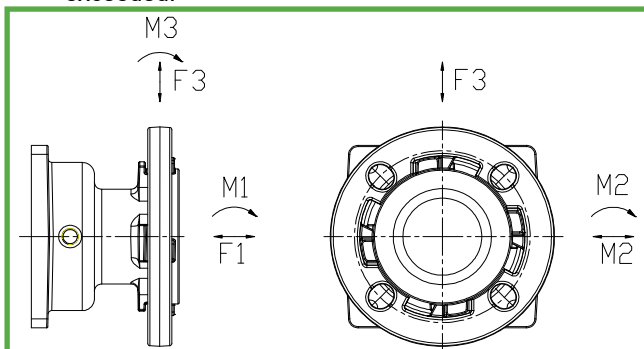


Figure 14 Nozzle Loadings on Flanges

8. Consider the maximum nozzle loadings on flanges in the following table:

| Pump Type | Maximum Nozzle Loadings | | |
|-----------|-------------------------|--------|------------|
| | F1 | F2, F3 | M1, M2, M3 |
| Dura 65 | 1500 N | 1000 N | 145 Nm |

Table 5 Maximum Nozzle Loadings on Flanges

6 Operation

6.1 Pre-commissioning the Pump

6.1.1 Checking the Direction of Rotation with Dry Pump

- Ensure the pump has lubricant in it.
- Switch the motor on and check the direction of rotation; switch immediately off again.
- If the direction of rotation is different: swap two of the phases (*check with electrician)

6.1.2 Starting the Pump

⚠ DANGER

Risk of injury and poisoning due to pumped liquid spraying out!

- ▶ Use personal protective equipment when carrying out any work on the pump.

⚠ DANGER

Equipment damage due to excess pressure!

- ▶ Do not operate the pump with the discharge-side fitting closed.
- ▶ Operate the pump only inside the tolerances specified by the manufacturer (→ Appendix A).

⚠ WARNING

Risk of injury and poisoning due to hazardous pumped liquids!

- ▶ Safely collect any leaking pumped liquid and dispose of it in accordance with environmental rules and requirements.

Checklist:

- Pump set up and connected properly.
 - Motor set up and connected properly.
 - All connections stress-free and sealed.
 - Pump housing lubricant level correct (→ Appendix A).
 - All safety equipment installed and tested for functionality.
1. Close all drainage taps.
 2. Open the suction-side and the discharge-side fittings.
 3. Switch ON the motor and make sure it is running smoothly.
 4. Run the pump, flushing with water first (cold commissioning) to check for leaks.
 5. Verify that neither the pump nor the pipe connections are leaking.
 6. Perform a second flush by running the pump, 10–20 revolutions with pumped liquid, to remove residue and water inside the pump.

6.1.3 Switching OFF the Pump

⚠ WARNING

Risk of injury due to hot pump parts!

- ▶ Use personal protective equipment when carrying out any work on the pump.

Note

Risk of dead heading and hose burst due to closed suction or discharge!

- ▶ Keep the suction and discharge side fittings opened till the rotor has come to a complete stop.

Equipment damage due to sediments!

- ▶ If the pumped liquid crystallizes, polymerizes or solidifies:
 - Flush pump
 - Make sure that the flushing liquid is compatible with the pumped liquid.

1. If necessary: Flush and empty the pump.
2. Switch off power to the motor.
3. Close the discharge side fitting.
4. Check all tie bolts and tighten them if necessary (only after putting the pump into service for the first time).

6.2 Commissioning the Pump

6.2.1 Switching ON the Pump



Risk of injury due to running pump!

- ▶ Do not touch the moving parts of a running pump.
- ▶ Do not carry out any repair/ maintenance work on the running pump.
- ▶ Allow the pump to cool down completely before starting any work on the unit.

Risk of injury and poisoning due to pumped liquid spraying out!

- ▶ Use personal protective equipment when carrying out any work on the pump.

Note

Risk of pulsation when throttling down the suction flow rate!

- ▶ Fully open the suction-side fitting and **DO NOT** use it to adjust the flow as this could damage the hose.

Checklist:

- Pump pre-commissioned. (→ 6.1 Pre-commissioning the Pump)
 - Pump prepared and filled.
1. Open the suction-side and the discharge-side fittings.
 2. Switch on the motor and make sure it is running smoothly.

6.2.2 Switching OFF the Pump (Refer to → 6.1.3)



Risk of injury due to hot pump parts!

- ▶ Use personal protective equipment when carrying out any work on the pump.

Note

Damage to hose due to sediments!

- ▶ If the pumped liquid crystallizes, polymerizes or solidifies
 - Flush the hose
 - Make sure that the flushing liquid is compatible with the pumped liquid.

6.3 Shutting Down the Pump

- ▶ Take the following measures whenever the pump is shut down:

| Pump is... | Measure |
|---------------------|--|
| shut down | ▶ Take measures according to the pumped liquid (→ Table 7 Measures depending on the behaviour of the pumped liquid). |
| ...dismounted | ▶ Isolate the motor from its power supply and secure it against unauthorized switch-on. |
| ...put into storage | ▶ Follow the storage instructions (→ 3.2 Storage Conditions) |

Table 6 Measures to be Taken if the Pump is Shut Down

| Behaviour of the Pumped Liquid | Duration of Shutdown (Depending on Process) | |
|---|---|--|
| | Short | Long |
| Crystallized or polymerized, solids sedimenting | ▶ Flush the pump | ▶ Flush the pump, remove the hose |
| Solidifying non-corrosive | ▶ Heat up or empty the pump | ▶ Empty the pump |
| Solidifying corrosive | ▶ Heat up or empty the pump | ▶ Empty the pump ▶ Treat the pump with preservative |
| Liquid, non-corrosive | - | - |
| Liquid, corrosive | ▶ Empty the pump | ▶ Empty the pump ▶ Treat the pump with preservative |

Table 7 Measures Depending on the Behaviour of the Pumped Liquid

6.4 Start-up Following a Shutdown Period


1. After a prolonged shutdown period, re-commission the pump as follows:
 - Check the seals and replace them if necessary.
 - Grease the gearbox adaptor/bearing carrier through the grease nipple. (→ 7.5)
 - Install or change hose (→ 5.7 Installing the Hose).
2. Carry out all steps as for the initial start-up (→ 6.1 Pre-commissioning the Pump).

6.5 Operating the Stand-by Pump

Checklist:

- Stand-by pump is filled with lubricant (→ 5.9 Filling Pump with Lubricant).
- ▶ Operate the stand-by pump at least once a week to avoid formation of permanent dents/setting on the hose.

7 Inspection, Maintenance and Repair

 Only trained service technicians should be employed for fitting and repair work. Present a pumped medium certificate (DIN safety data sheet or safety certificate) when requesting service.

DANGER

Risk of injury due to running pump or hot parts!

- ▶ Do not carry out any repair/maintenance work on a pump in operation.
- ▶ Allow the pump to cool down completely before starting any repair work.

Risk of injury due to pressure buildup!


- ▶ Do not carry out any repairs/maintenance work on a pump in operation.
- ▶ Do not block the breather tube which is designed for pressure relief, unless there is a hose burst and vent kit fitted.
- ▶ In the unlikely event of a hose burst which leads to blockage of the breather tube - safely relieve the pressure inside the casing before disassembling the pump.

WARNING

Risk of injury and poisoning due to hazardous pumped liquids!


- ▶ Use protective equipment when carrying out any work on the pump.

7.1 Inspection

 The inspection intervals depend on the pump operating cycle.

1. Check at appropriate intervals:
 - Normal operating conditions unchanged
2. For trouble-free operation, always check the following:
 - Lubricant level
 - No leaks
 - No unusual running noises or vibrations
 - Hose in position

7.2 Maintenance

 These pumps are generally maintenance free and any work should normally be limited to inspections and pump lubricant and hose changes, gearbox adaptor/bearing carrier greased as required; these may be more frequent in dust and/or hot condition, refer to (→ 7.2.3 Maintenance Schedule)

7.2.1 Cleaning the Pump

DANGER

Risk of electrocution!

- ▶ Have all electrical work carried out only by qualified electricians.

Note

High water pressure or spray water can damage motors!

- ▶ Do not clean motors with water or steam jet.

Remove the hose!

- ▶ Rinse the hose carefully to remove chemicals (follow the cleaning protocol as listed in (→ 7.2.2 Cleaning Protocol for Hoses).

1. Clean large-scale grime from the pump.
2. Remove the service cover to remove any debris. Make sure the hose is removed.



Figure 15 Clean the Pump Housing

3. Check the O-ring of the service cover and replace it if necessary.
4. Fit the screws with sealing washers to fix the service cover. For the tightening torque values, please refer to (→ Appendix A).

7.2.2 Cleaning Protocol for Hoses

VERDERFLEX hoses should be cleaned with the following protocol –

NBR, NR and CSM Hoses:

- ▶ VERDERFLEX NBR, NR and CSM hoses should be cleaned with the following protocol:
 1. First flush 0.5% Nitric Acid (HNO₃) solution at up to 50°C, max 10-15 minutes
 2. Second flush 5% Caustic soda (NaOH) solution at up to 50°C, max 10-15 minutes and eventually steamed open ends for 15 minutes at up to 110°C
 3. Final flush: flush with clean water to remove all traces of cleaning solutions

EPDM Hoses:

- ▶ VERDERFLEX EPDM hoses should be cleaned with the following protocol:
 1. First flush 0.5% Nitric Acid (HNO₃) solution at up to 50°C, max 10-15 minutes
 2. Second flush 5% Caustic soda (NaOH) solution at up to 50°C, max 10-15 minutes and eventually steamed open ends for 15 minutes at up to 130°C
 3. Final flush: flush with clean water to remove all traces of cleaning solutions

NBRF Hoses:

- ▶ VERDERFLEX NBRF food grade hoses should be cleaned with the following protocol:
 1. First flush 0.5% Nitric Acid (HNO₃) solution at up to 50°C, max 10-15 minutes
 2. Second flush 5% Caustic soda (NaOH) solution at up to 50°C, max 10-15 minutes and eventually steamed open ends for 15 minutes at up to 110°C
 3. Final flush: flush with clean water to remove all traces of cleaning solutions

Under no circumstances should VERDERFLEX NBRF food grade hoses be cleaned with Sodium Hypochlorite (NaOCl) based cleaning solutions, neither should the above concentrations, exposure, durations or temperatures be exceeded.

▶ Food Grade Approval

All VERDERFLEX NBRF food grade hoses' inner liners are certified as compliant to:

- FDA – CFR 21 Parts 170 to 199 – Item 177.2600
- EC regulation No.1935/2004
- EC regulation No.2023/2006

▶ Hose Description

All VERDERFLEX NBRF food Grade hoses consist of a smooth black inner food grade liner bonded to a non-food grade outer. The inner liner is taste-free and odourless.

▶ Hose Installation

All VERDERFLEX NBRF food Grade hoses must be installed in accordance with the procedures defined in the VERDERFLEX Operating and Maintenance manual.

▶ Identification

VERDERFLEX NBRF food Grade hoses can be identified by: Both an external Yellow Coding / Identification tape and an additional white longitudinal stripe. The hose will also have glass fork symbol as per Regulation (EC) 1935/2004.



Figure 16 Verderflex NBRF Food Grade Hose Identification

▶ Pump Installation

VERDERFLEX pumps using VERDERFLEX NBRF Food Grade hoses must be installed in accordance with recommendations made by the pump's supplier. In particular, special care must be given to the suction and discharge line conditions and that the hose is shimmed in accordance with VERDERFLEX's recommendations. Should there be any doubt about any installation details, these must be discussed with the pumps' supplier.

▶ Particle Release

All hoses will release small quantities of rubber into the product stream, especially immediately after the hose installation and just prior to hose failure. Whilst the rubber released will be food grade particles, these may cause end-user concerns about contamination and so we recommend suitable particle capturing devices such as filters are fitted into the pump's discharge line.

7.2.3 Maintenance Schedule

| Task | Frequency | Action |
|---|--|---|
| Check pump and gearbox for leaks and damage | <ul style="list-style-type: none"> – Before pump start up – Daily visual inspection – Scheduled intervals during operation | <ul style="list-style-type: none"> ▶ Repair leaks and damage before operating the pump. ▶ Replace components as necessary. ▶ Clean up any spillage. |
| Check pump housing lubrication level | <ul style="list-style-type: none"> – Before pump start up – Daily visual inspection – Scheduled intervals during operation | <ul style="list-style-type: none"> ▶ Make sure that lubricant level is visible in the inspection window between the lower sill and the first pair of bolts. ▶ Do not operate the pump if the level is too low or too high. Refill lubricant as required (→ 5.9 Filling the pump with lubricant). |
| Check geared motor unit lubrication level | <ul style="list-style-type: none"> – Before pump start up – Daily visual inspection – Scheduled intervals during operation | <ul style="list-style-type: none"> ▶ → Motor instruction manual. |
| Check pump for unusual temperatures or noise in operation | <ul style="list-style-type: none"> – Daily visual inspection – Scheduled intervals during operation | <ul style="list-style-type: none"> ▶ Check pump, gearbox and bearing housing for damage. ▶ Replace worn components. |
| Replace pump housing lubricant | <ul style="list-style-type: none"> – At every 2nd hose change or after 5000 running hours, whichever comes first – After inspection when required | <ul style="list-style-type: none"> ▶ Refill lubricant (→ 5.9 Filling the pump with lubricant). |
| Replace hose | <ul style="list-style-type: none"> – After inspection when required – When flow has dropped by 25% of nominal value – When the hose is burst/damaged | <ul style="list-style-type: none"> ▶ Replace hose (→ 7.6 Hose change). ▶ Replace flange sealing kit. |
| Check pump housing, rotor, rotor shoes and inserts internally | <ul style="list-style-type: none"> – Annually – On replacing the hose | <p>Worn and damaged surfaces give rise to premature hose failure.</p> <ul style="list-style-type: none"> ▶ Replace worn components. ▶ Check bearing play and function. |
| Replace bearing and seal | <ul style="list-style-type: none"> – After 30,000 running hours – When damage is suspected – When leak is detected | <ul style="list-style-type: none"> ▶ Check bearing play and function. ▶ Replace worn components. |
| Check Gearbox Adaptor/Bearing Carrier | <ul style="list-style-type: none"> – Add 5 grams of grease every 6 months | <ul style="list-style-type: none"> ▶ Refer to →7.5 Grease the Gearbox Adaptor/Bearing Carrier |

Table 8 Maintenance schedule

7.3 Repair

DANGER

Risk of death due to electric shock!

- ▶ Have all electrical work carried out by qualified electrician only.

WARNING

Risk of injury due to heavy components!

- ▶ Pay attention to the component weight. Lift and transport heavy components using suitable lifting gear.
- ▶ Set down components safely and secure them against overturning or rolling away.

Risk of injury while dismantling the pump!

- ▶ Use protective equipment when carrying out any work on the pump.
- ▶ Observe manufacturer's instructions (e.g. for Motor, coupling, gearbox).

7.3.1 Preparations for Dismounting

Checklist:

- Safely release any pressure build up in the pump housing (There may be significant built up of pressure in the discharge line or possible suction side vacuum).
- Pump completely emptied, flushed and decontaminated.
- Electrical connections disconnected and motor locked out against being switched on again.
- Pump cooled down.
- Auxiliary systems shut down, depressurized and emptied.
- Before dismantling the pump, mark the precise orientation and position of all components before dismantling them.

7.3.2 Returning the Pump to the Manufacturer

Checklist:

- Pump unpressurized.
- Completely emptied and decontaminated.
- Pump cooled down.
- Hose dismantled. (→7.6 Hose Change)


Obtain prior authorization before repair or return of the pump.

- ▶ Enclose a completed document of compliance when returning pumps or components to the manufacturer.
- ▶ Please contact Verder Ltd. internal sales department for a copy of the Return of Goods form.
- ▶ Returning without the Return of Goods form will not be accepted.

| Repairs | Measure for Return |
|--|--|
| ...at the customer's premises | <ul style="list-style-type: none"> – Return the defective component to the manufacturer. – Decontaminate if necessary. |
| ...at the manufacturer's premises | <ul style="list-style-type: none"> – Flush the pump and decontaminate it if it was used for hazardous pumped liquids. |
| ...at the manufacturer's premises for warranty repairs | <ul style="list-style-type: none"> – Only in the event of hazardous pumped liquid, flush and decontaminate the pump |

Table 9 Measures for Returning the Pump to the Manufacturer

7.3.3 Rebuild/Repair

-  Reinstall the components, in accordance with the marks applied.

Note

Material damage due to unsuitable components!

- ▶ Always replace lost or damaged bolts with bolts of the same strength and material.

- Observe the following during the installation:
 - Replace worn parts with genuine spare parts.
 - Maintain the prescribed tightening torques (→ Appendix A).
- Clean all parts (→ Appendix A).
Do not remove any markings which have been applied.
- Reassemble the pump.
- Install the pump in the system (→ 5 Installation and Connection)

7.4 Drain/Change the Lubricant

WARNING

Risk of injury!

- ▶ Always isolate the power supply before working on the pump.

Slip hazard due to spilt lubricant!

- ▶ Care must be taken when lubricant is drained into a container.
- ▶ Dispose of used lubricant in accordance with local laws and good environmental practices.

Checklist:

- Motor isolated.
 - System secured against being switched back on again.
1. Drain the lubricant from the pump housing through drain port from the back of the pump.
 2. Place a suitable container under the drain port.
 3. Open the valve and drain the lubricant as shown in the image.

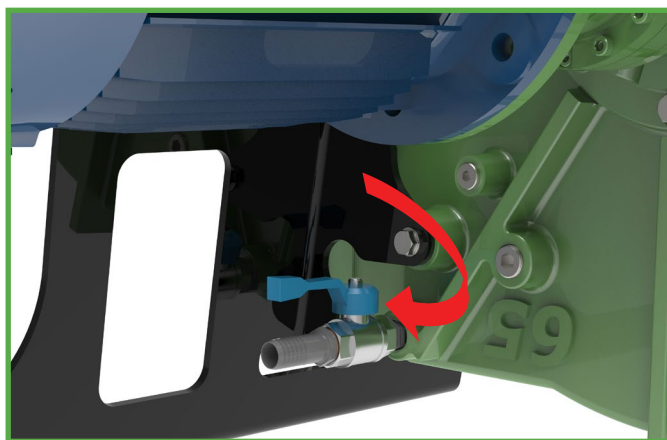


Figure 17 Drain the Lubricant

4. Close the valve in position by rotating the lever to 90° to the right.

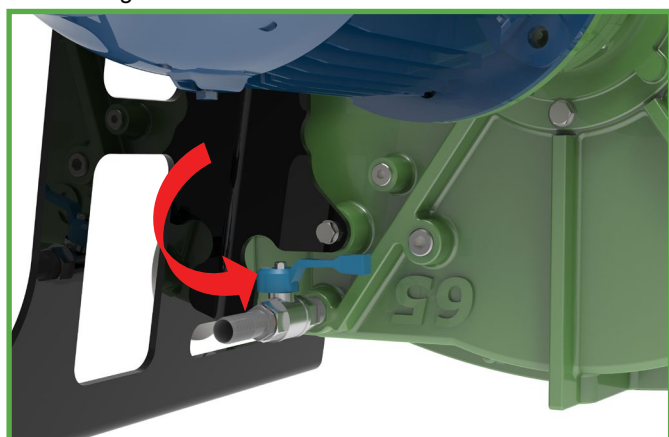


Figure 18 Close the Valve

4. For how to fill the pump housing with lubricant through the filler port, refer to (→ 5.9 Filling the Pump with Lubricant).



Figure 19 Filling the Pump with Lubricant

7.5 Grease the Gearbox Adaptor/Bearing Carrier

DANGER

Risk of injury due to running pump or hot parts!

- ▶ Do not carry out any repair/maintenance work on a pump in operation.
- ▶ Allow the pump to cool down completely before starting any repair work.

1. The grease nipple allows to the lubrication of the main seal located the gearbox adaptor/bearing carrier.
2. Add 5 grams of grease every 6 months.

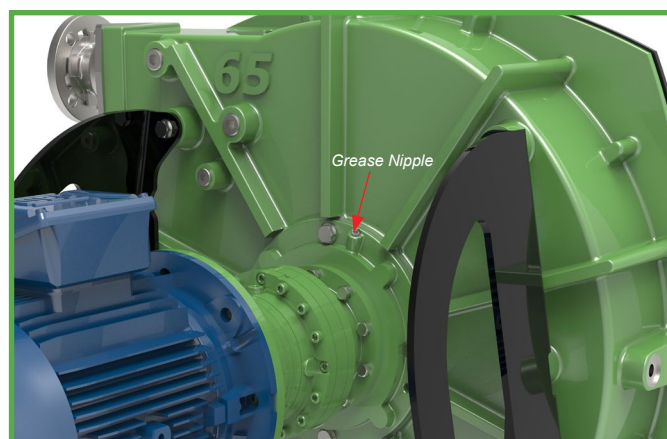


Figure 20 Grease the Gearbox Adaptor/Bearing Carrier

7.6 Hose Change

WARNING

Risk of injury!

- ▶ Always isolate the power supply before working on the pump.


CAUTION

Risk of injury if the hose is expelled too quickly!

- ▶ Slowly remove the hose by running the motor at a reduced speed.

Risk of injury while dismantling the pump!

- ▶ Use protective equipment when carrying out any work on the pump.
- ▶ For the tightening torque values, please refer to (→ Appendix A).

 The hose change involves removal and re-installing the port flanges.

Checklist:

- Motor isolated.
- System secured against being switched back on again.
- Close the suction and discharge side valves.

1. Place a suitable container under the lower port flange.
2. Remove the drain port from the lower port flange and allow any excess lubricant to drain out.

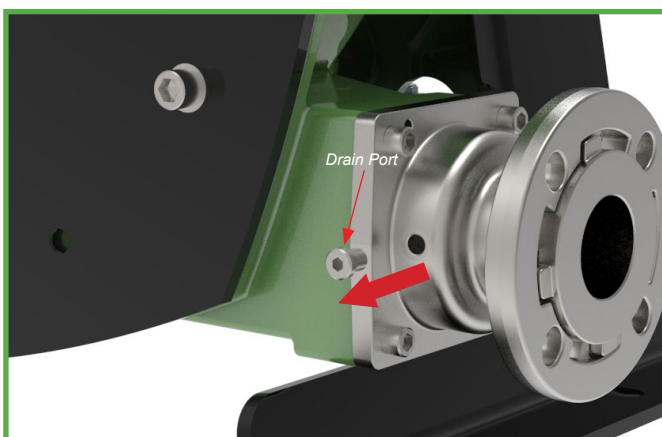


Figure 21 Grease the Gearbox Adaptor/Bearing Carrier

3. Remove the ¼ turn flange connector by rotating it to 90° anti-clockwise, then remove the bolts.
4. Slide the port flange off the hose.

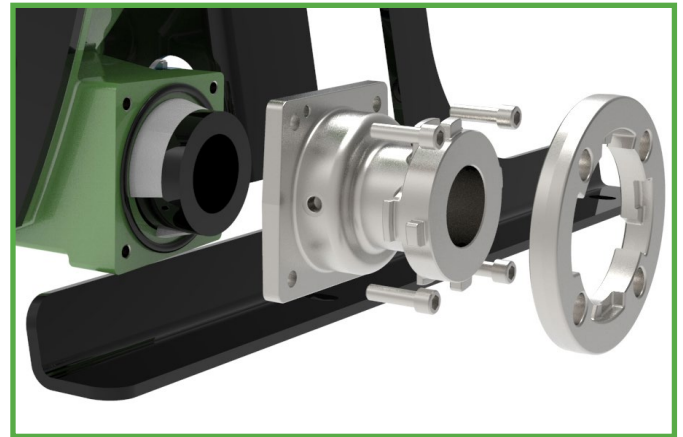


Figure 22 Remove the Lower Port Flange

5. Remove the O-ring and the clamp ring. Check that the O-ring and the clamp ring are not damaged and replace them if necessary.
6. Repeat 1-5 steps to remove the upper port flange.

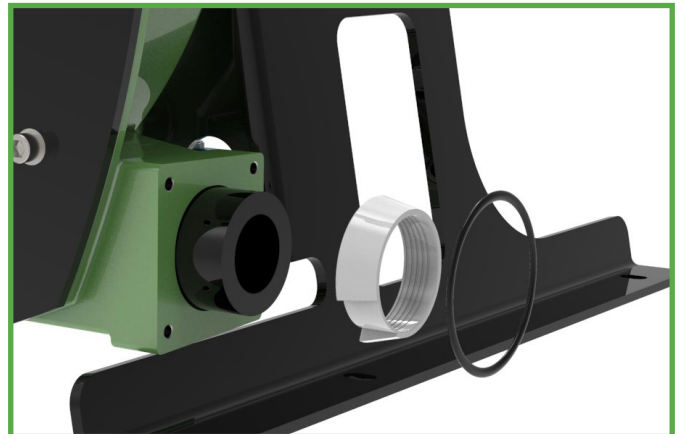


Figure 23 Remove the O-ring and Clamp Ring

7. Use the motor to drive out the old hose. If no power is available, remove the fan cover and turn the fan shaft by hand or using suitable leverage. Care must be taken not to damage the fan blades when using this method.
8. Clean the pump housing.

Note

We recommend to clean the pump housing through the service cover, for additional information, please refer to (→ 7.2.1).

9. Inspect the flanges for damage and signs of wear.
10. For installing the hose and port flanges, please refer to sections (→ 5.7 and 5.8).

7.7 Replace the Rotor Shoe



WARNING

Risk of injury!

- ▶ Always isolate the power supply before working on the pump.



CAUTION

Risk of injury while dismantling the pump!

- ▶ Use protective equipment when carrying out any work on the pump.

Checklist:

- Motor isolated.
- System secured against being switched back on again.

1. Please note that the Dura 65 rotor shoes can be replaced without draining the lubricant. Nevertheless, for changing the lubricant from the pump housing, please refer to (→ 7.4 Drain/Change the Lubricant).
2. Rotate the pump so that a rotor shoe is visible through the inspection window.
3. Remove the inspection window and gasket. Leave the bolts on the inspection window for reassembly.

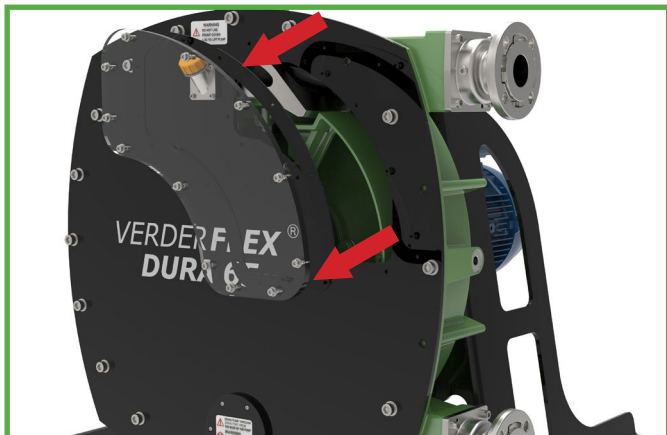


Figure 24 Removing the Inspection Window

4. Loosen the shoe bolt (item 2).
5. Remove any existing shims (item 1).

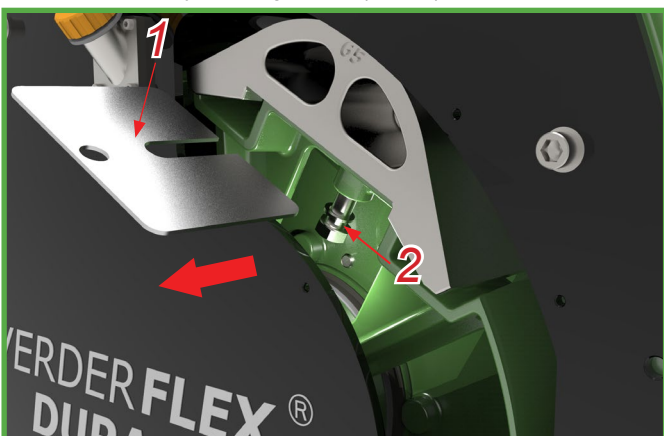


Figure 25 Remove the Rotor Shoe

6. Loosen the shoe bolt (item 2) completely and remove the rotor shoe.
7. Position in place the new Dura 65 rotor shoe. Please note that the correct position is when 65 is facing you.



Figure 26 Position the New Rotor Shoe

8. Replace with correct number of shims for the required pressure (→ Appendix A).
9. Tighten the shoe bolt with the correct torque (→ Appendix A).
10. Repeat with the other rotor shoe.
11. Ensure the lubricant level is correct. (→ 5.9 Filling the Pump with Lubricant).
12. Replace the window and gasket ensuring it is fitted the correct way with the bolts (→ 5.6 Fitting the Inspection Window).

7.8 Replace the Gearbox Adaptor/ Bearing Carrier Seal

DANGER

Death or crushing of limbs caused by falling loads!

- ▶ Use lifting gear appropriate for the total weight to be transported.
- ▶ Make sure the pump and accessories are lifted and moved by qualified lifting personnel equipped with suitable lifting gear.
- ▶ Do not stand under suspended loads.

WARNING

Risk of injury!

- ▶ Always isolate the power supply before working on the pump.

CAUTION

Risk of injury while dismantling the pump!

- ▶ Use protective equipment when carrying out any work on the pump.

Checklist:

- Motor isolated.
 - System secured against being switched back on again.
1. Remove the hose. Please refer to (→ 7.6).
 2. Remove the front cover. Use lifting gear for the front cover to be moved.
 3. Fasten the lifting gear to the front cover lifting eye as shown in the following illustration.



Figure 27 Remove the Front Cover

4. Loosen the hex head set screws for the front cover to be removed.
5. Remove the hex head set screws of the drive coupling.
6. Remove the drive coupling and the O-ring.

Note

Please note that they are different sizes of the drive coupling depending on the GMU size.

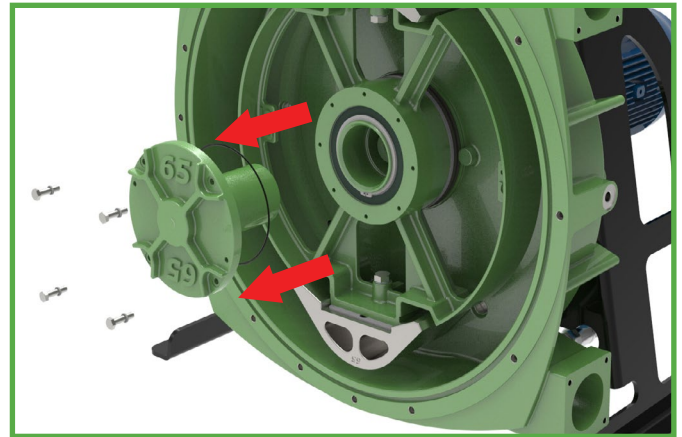


Figure 28 Remove the Drive Coupling

7. Remove the motor from the gearbox.

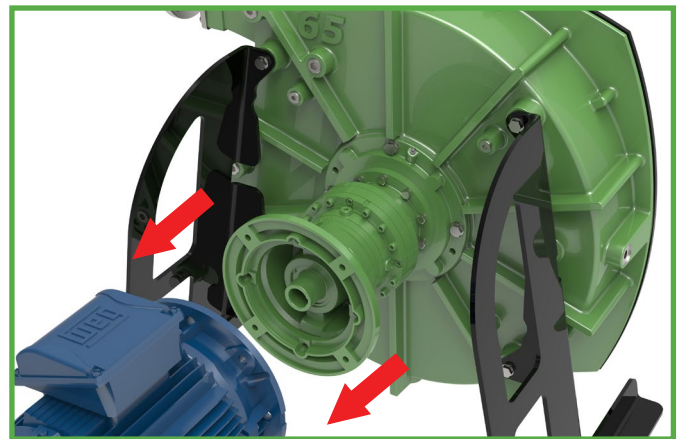


Figure 29 Remove the Motor

8. Loosen the hex head screws to remove the gearbox from the gearbox adaptor.

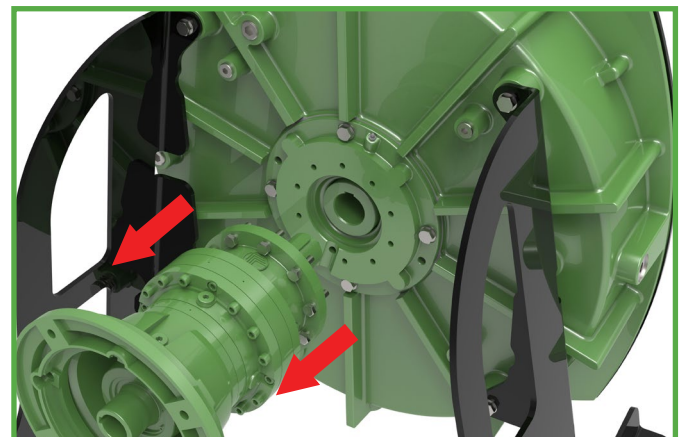


Figure 30 Remove the Gearbox

7.8 Replace the Gearbox Adaptor/ Bearing Carrier Seal (continued)

- Remove the external circlip by using an external circlip plier.

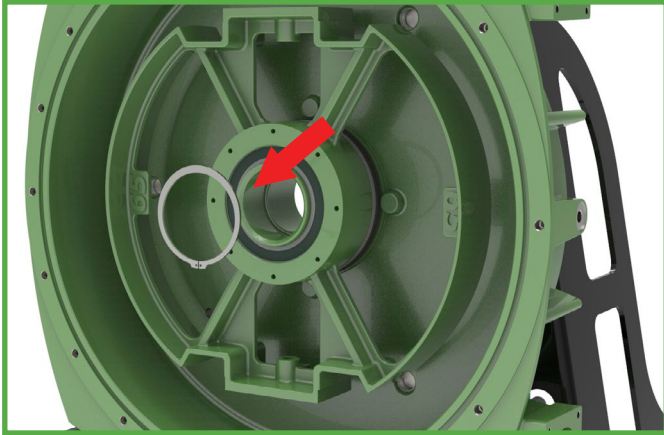


Figure 31 Remove the External Circlip

- Remove the rotor. Make sure the rotor is lifted and moved by qualified lifting personnel equipped with suitable lifting gear.

Note

Please note that for dismantling the rotor is required as follows:

- ▶ Dura 65 Rotor Removal Bang (item 1)
- ▶ Dura 65 Rotor Removal Puller (item 2)
- ▶ M10x50 long screws x2 (item 3)
- ▶ M20x90 long bolt (e.g. rotor show bolt) (item 4)

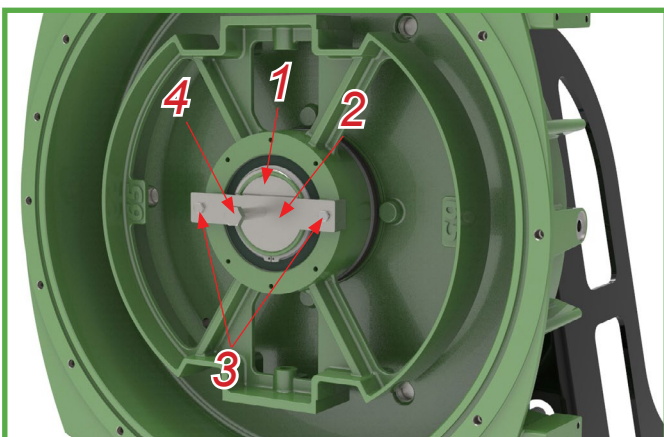


Figure 32 Remove the Rotor

- Remove the gearbox adaptor/bearing carrier.
- Remove the rotary lip (item 5) and O-ring (item 6).

Note

Please note that they are different sizes of the gearbox adaptor/
bearing carrier depending on the GMU size.

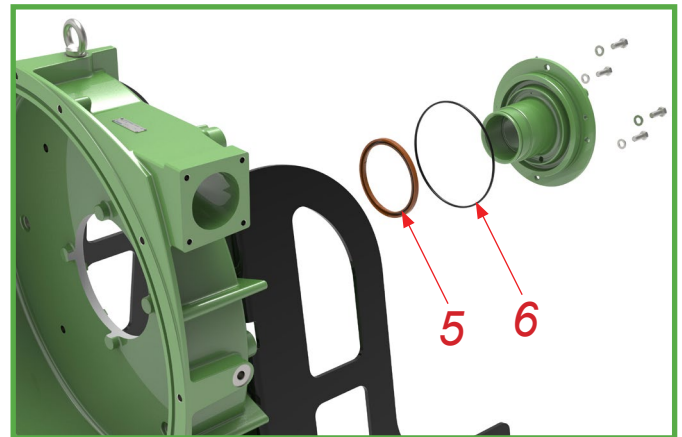


Figure 33 Remove the Gearbox Adaptor/Bearing Carrier

- Replace the rotary lip.
- Apply grease to the outside diameter and "spring side" of the rotary lip to aid assembly into the housing.
- Use the correct jig to press the rotary lip into the pump housing.

Note

The rotary lip must be flush. The jig will push the seal all the way to the base of the recess, before the jig touches the GMU adaptor.

- Attach the o-ring. Make sure the O-ring is cleaned.

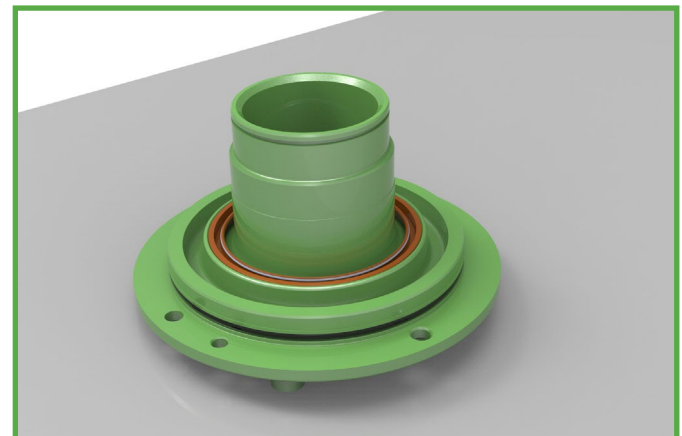


Figure 34 Replace the Rotary Lip and O-ring

7.8 Replace the Gearbox Adaptor/ Bearing Carrier Seal(continued)

17. Attach the grease nipple. Make sure it positioned to the top of the pump as shown in the picture below.
18. Press the gearbox adaptor/bearing carrier to the pump housing and fix it with the hex head set screws and washers.
19. Use a torque wrench to apply tightening torque (→ Appendix A).

Note

Make sure you torque the screws diagonally opposite to each other.

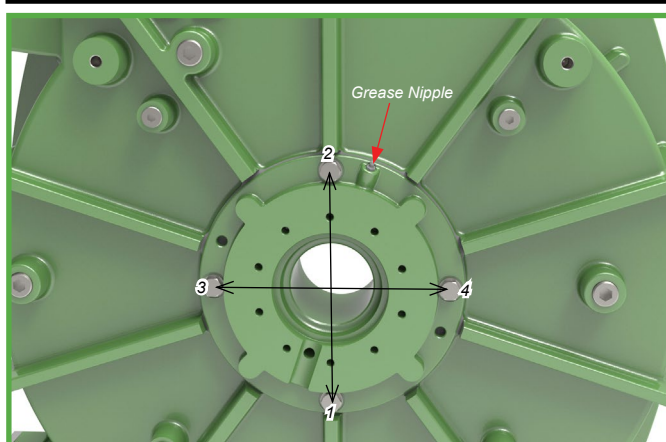


Figure 35 Install the Gearbox Adaptor/Bearing Carrier

20. Clean the pump housing and re-install the rotor.
21. Slide the assembled rotor onto the pump housing. Make sure the rotor is lifted and moved by qualified lifting personnel equipped with suitable lifting gear.

Note

Please note that for mounting the rotor is required:

- ▶ Dura 65 Rotor Removal Puller (item 2)
- ▶ M10x50 long screws x2 (item 3)
- ▶ Threaded Rob (item 7)
- ▶ M 20 nut (item 8) used as a locknut
- ▶ Back plate (item 9)

22. Press rotor onto the pump housing using the pressing jig described on above.

Note

The rotor may not “push” fully home onto the gearbox adaptor/pump housing.

If necessary, please use the rotor puller assembly as described in the Figures 36a/36b to seat the rotor correctly.

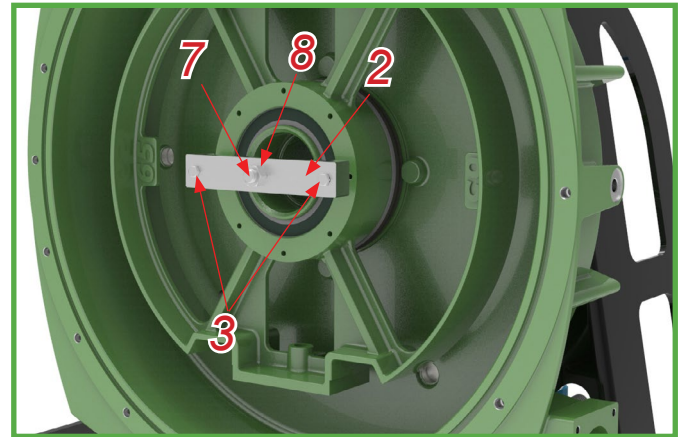


Figure 36a Install the Rotor (illustrating front of the pump)

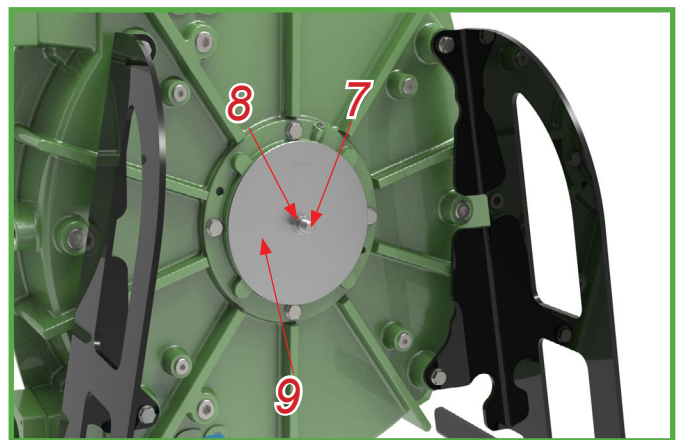


Figure 36b Install the Rotor (illustrating back of the pump)

23. Fit the external circlip, drive coupling and front cover following the steps 1-9 from section (→ 7.8).
24. Fit the rotor shoes, refer to (→ 7.7).
25. Install the Motor and Gearbox, refer to (→ 5.4).
27. Install the hose and flanges, refer to (→ 5.7 and 5.8).

7.9 Replace the Bearing Seal Kit and Bearings

DANGER

Death or crushing of limbs caused by falling loads!

- ▶ Use lifting gear appropriate for the total weight to be transported.
- ▶ Make sure the pump and accessories are lifted and moved by qualified lifting personnel equipped with suitable lifting gear.
- ▶ Do not stand under suspended loads.

WARNING

Risk of injury!

- ▶ Always isolate the power supply before working on the pump.

CAUTION

Risk of injury while dismantling the pump!

- ▶ Use protective equipment when carrying out any work on the pump.

1. Dismount the hose, front cover and rotor by following steps 1 through 10 from (→ 7.8).
2. Lift the rotor correctly. Place the rotor on a flat surface with the drive coupling mounting face side.
3. Remove the v-seal (item 1) with a tyre levers. Do not use a screwdriver.
4. Loosen the cap head screws to remove the seal plate (item 2) from the rotor.
5. Remove the O-ring (item 3) .

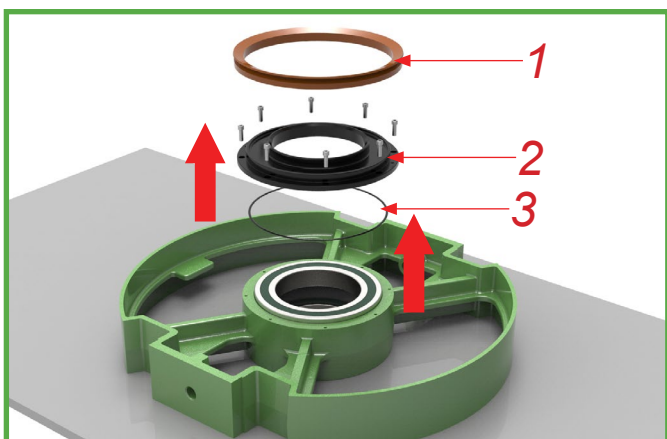


Figure 37 Remove the Seal Plate

6. Turn the rotor over (circlip face up). Remove the outside bearing (item 4), spacer (item 5) and inside bearing (item 6).

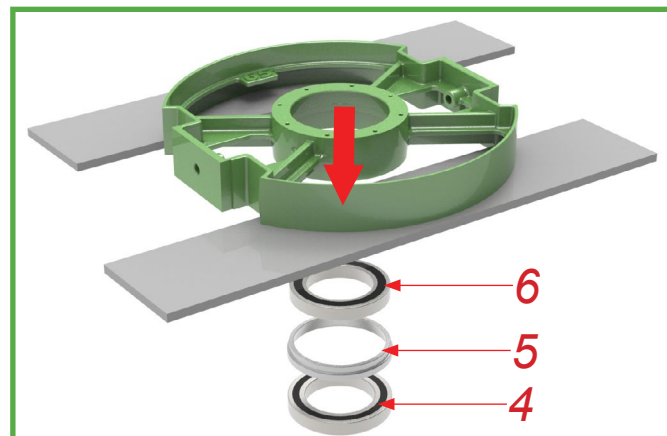


Figure 38 Remove the Bearings

7. Turn the rotor over (circlip face down). Make sure that the rotor is cleaned.
8. Install the inside bearing (item 6), spacer (item 5) and outside bearing (item 4) by using the Dura 65 pressing tools.

Note

Please note the additional information as follows:

- ▶ The bearings are centred in the pressing machine and go parallel into the rotor.
- ▶ The outside bearing (item 4) should sit slightly proud of the rotor/seal housing face.
- ▶ The orientation of the spacer (item 5) as shown in the image below.

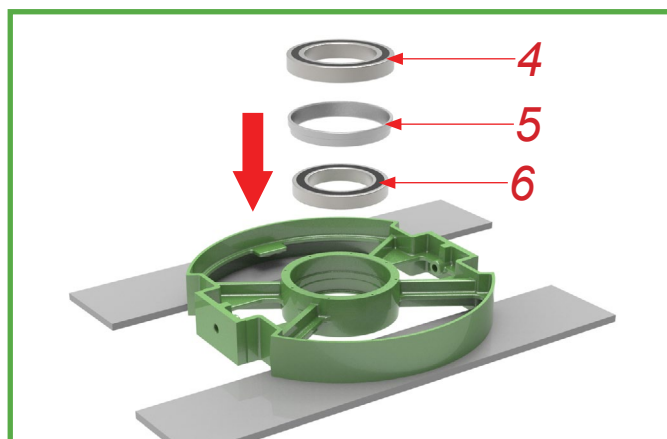


Figure 39 Install the Bearings

9. Attach the O-ring (item 3) to the seal plate (item 2). Apply grease to the seal plate.
10. Fix the seal plate (item 2) to the rotor with the cap head screws.
11. Use a torque wrench to apply tightening torque (→ Appendix A).

7.9 Replace the Bearing Seal Kit and Bearings *(continued)*

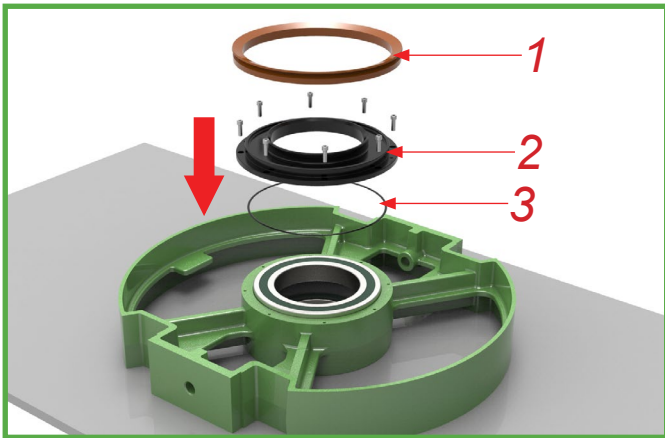


Figure 40 Install the Seal Plate

12. Attach the v-seal (item 1) with a tyre levers. **Do not** use a screwdriver. Apply grease to the v-seal.

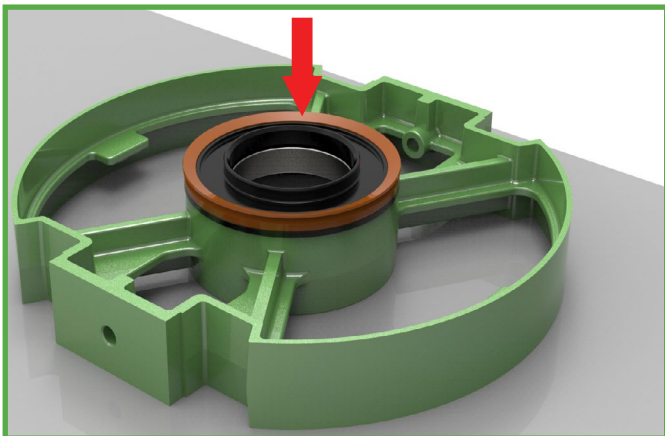


Figure 41 Install the V-Seal

13. Install the rotor, hose and front cover by following steps 20 through 27 from (→ 7.8).

7.10 Ordering Spare Parts

For trouble-free replacement in the event of faults, we recommend keeping spare parts available on site.

- ▶ The following information is mandatory when ordering spare parts (→ Name plate):
 - Pump model
 - Year of manufacture
 - Part number / Description of part required
 - Serial number
 - Quantity

8 Troubleshooting

8.1 Pump malfunctions

If malfunctions occur which are not specified in the following table or cannot be traced back to the specified causes, please consult the manufacturer.

Possible malfunctions are identified and respective cause and remedy are listed in the table.

| Abnormally high pump temperature | Low flow/pressure | Pump and pipe-work vibrating | Hose pulled in to pump housing | Possible Cause | Remedy |
|----------------------------------|-------------------|------------------------------|--------------------------------|--|--|
| X | - | - | - | Incorrect lubricant | ▶ Consult the manufacturer to obtain correct lubricant. |
| | | | | Low lubricant level | ▶ Add required amount. |
| | | | | Product ambient temperature too high | ▶ Consult the manufacturer regarding maximum temperature. |
| | | | | Over shimming of the pump | ▶ Check for and remove excess shims. |
| X | X | - | - | Blocked suction / bad suction characteristics / no product | ▶ Check pipe-work and valves for blockages. ▶ Check that the suction pipe-work is as short and as large in diameter as feasible. ▶ Correct the piping layout. ▶ Consult the manufacturer. |
| X | - | X | - | High pump speed | ▶ Reduce speed to a minimum. ▶ Consult the manufacturer. |
| - | X | - | - | Suction/discharge valve closed | ▶ Open suction/discharge valve. |
| | | | | Hose failure | ▶ Replace hose (→ 7.6 Hose Change) |
| | | | | Poor pump selection, incorrect shoe shimming | ▶ Consult the manufacturer to check pump selection. |
| | | | | Suction line too long | ▶ Consult the manufacturer. |
| | | | | Pump speed too high | ▶ Consult the manufacturer. |
| | | | | Suction line bore too small | ▶ Consult the manufacturer. |
| | | | | High product viscosity | ▶ Consult the manufacturer. |
| | | | | Suction/discharge lines not secured properly | ▶ Check and secure suction/discharge lines. |
| - | - | X | - | Long suction/discharge lines / Dampener malfunction | ▶ Shorten long suction/discharge lines wherever possible. ▶ Consult the manufacturer. |
| | | | | High product specific gravity / viscosity | ▶ Consult the manufacturer. |
| | | | | Under-sized suction/discharge diameter | ▶ Increase suction/discharge pipe-work diameter. ▶ Fit damper. |
| | | | | Insufficient lubricant in the casing | ▶ Check lubrication chart and add the required amount of lubrication. |
| - | - | - | X | Inlet pressure too high | ▶ Reduce the inlet pressure. |
| | | | | Blocked hose / incorrectly fitted | ▶ Check the hose and remove any blockages. |
| | | | | Large particles in the product | ▶ Mount sieve or filter in suction line to avoid very large particles from entering the hose. <u>Do not</u> allow filters to limit suction below accepted levels. |

Table 10 Pump Troubleshooting List

9 List of Figures and Tables

9.1 List of Figures

| | | |
|------------|--|--------|
| Figure 1 | Fastening Lifting Gear to Pump | 3.1.2 |
| Figure 2 | Name plate | 4.2.1 |
| Figure 3 | Layout Dura 65 (Generic View) | 4.3 |
| Figure 4 | Installing the Gearbox | 5.4 |
| Figure 5 | Installing the Motor | 5.4 |
| Figure 6 | Shimming | 5.5 |
| Figure 7 | Fitting the Inspection Window | 5.6 |
| Figure 8 | Installing the Hose | 5.7 |
| Figure 9 | Clamp Ring Inserted | 5.8.1 |
| Figure 10 | Hose and Flange Assembly (just for information) | 5.8.1 |
| Figure 11 | Lubricant Level Indicator Plate | 5.8.1 |
| Figure 12 | Filling the Pump with Lubricant | 5.9 |
| Figure 13 | Positioning the Breather Cap | 5.9 |
| Figure 14 | Nozzle Loadings on Flanges | 5.10.1 |
| Figure 15 | Clean the Pump Housing | 7.2.1 |
| Figure 16 | Verderflex NBRF Food Grade Hose Identification | 7.2.2 |
| Figure 17 | Drain the Lubricant | 7.4 |
| Figure 18 | Close the Valve | 7.4 |
| Figure 19 | Filling the Pump with Lubricant | 7.4 |
| Figure 20 | Grease the Gearbox Adaptor/Bearing Carrier | 7.5 |
| Figure 21 | Grease the Gearbox Adaptor/Bearing Carrier | 7.6 |
| Figure 22 | Remove the lower port flange | 7.6 |
| Figure 23 | Remove the O-ring and Clamp Ring | 7.6 |
| Figure 24 | Removing the Inspection Window | 7.7 |
| Figure 25 | Remove the Rotor Shoe | 7.7 |
| Figure 26 | Position the New Rotor Shoe | 7.7 |
| Figure 27 | Remove the Front Cover | 7.8 |
| Figure 28 | Remove the Drive Coupling | 7.8 |
| Figure 29 | Remove the Motor | 7.8 |
| Figure 30 | Remove the Gearbox | 7.8 |
| Figure 31 | Remove the External Circlip | 7.8 |
| Figure 32 | Remove the Rotor | 7.8 |
| Figure 33 | Remove the Gearbox Adaptor/Bearing Carrier | 7.8 |
| Figure 34 | Replace the Rotary Lip and O-ring | 7.8 |
| Figure 35 | Install the Gearbox Adaptor/Bearing Carrier | 7.8 |
| Figure 36a | Install the Rotor (illustrating front of the pump) | 7.8 |
| Figure 36b | Install the Rotor (illustrating back of the pump) | 7.8 |
| Figure 37 | Remove the Seal Plate | 7.9 |
| Figure 38 | Remove the Bearings | 7.9 |
| Figure 39 | Install the Bearings | 7.9 |
| Figure 40 | Install the Seal Plate | 7.9 |
| Figure 41 | Install the V-Seal | 7.9 |

9.2 List of Tables

| | | |
|----------|---|-------|
| Table 1 | Target Groups | 1.1 |
| Table 2 | Warnings Used in the Manual | 1.2 |
| Table 3 | Symbols Used in the Manual | 1.2 |
| Table 4 | Do's and Don'ts | 5.3 |
| Table 5 | Maximum Nozzle Loadings on Flanges | 5.8.1 |
| Table 6 | Measures to be Taken if the Pump is Shut Down | 6.3 |
| Table 7 | Measures Depending on Behaviour of the Pumped Liquid | 6.3 |
| Table 8 | Maintenance Schedule | 7.2.4 |
| Table 9 | Measures for Returning the Pump to the Manufacturer | 7.3.2 |
| Table 10 | Pump Troubleshooting List | 8.1 |
| Table 11 | Declaration of Conformity | 10 |

10 EC Declaration of Conformity



| | | |
|---|---|---|
| <p>EC declaration of conformity according to machinery directive, appendix II A</p> <p>We, VERDER Ltd., Unit 3 California Drive, Castleford hereby declare that the following machine adheres to the relevant EC directives detailed below:</p> <p>Designation Dura 65</p> <p>EC directives:</p> <ul style="list-style-type: none"> • Machinery Directive (2006/42/EC) • Low-voltage directive (2014/35/EU) • RoHS Directive (2011/65/EU) and Delegated Directive (EU) 2015/863 <p>Applicable harmonized norms:</p> <ul style="list-style-type: none"> • EN ISO 12100: 2010 | | |
| <p>Manufacturer</p> | <p>VERDER Ltd. Unit 3 California Drive Castleford WF10 5QH UK</p> | |
| <p>Date: 01/ 05/ 2021</p> | <p>Company stamp / signature:</p>  <p>Anthony Beckwith Head of Development/Construction</p> | <p>Company stamp / signature:</p>  <p>Paul Storr Head of Quality</p> |

Table 11 Declaration of Conformity

11 Trademarks

VERDERFLEX® is a registered trademark of Verder International B.V. No permission is granted to use any Verder, trademarks or trade names included in this document without the prior written agreement of Verder International B.V.

Tri-clamp® is a registered trademark of Alfa Laval Corporate AB.

Hypalon® is a registered trademark of RSCC Wire & Cable LLC.

Appendix A - Dura 65


1 Technical Specifications

1.1 Pump Specifications

| Size | Value |
|---------------------------------------|--|
| Max. delivery pressure | 16 bar |
| Temperature of pumped liquid | < 100 °C < 40 °C (ATEX) |
| Max. continuous operation pump speeds | 52 rpm at 0 bar 46 rpm at 6 bar 36 rpm at 10 bar 18 rpm at 16 bar |
| Sound level on 1 m | 70 dB(A) |
| Dimensions | *(refer pump datasheet) |

Table 1 Pump Specifications

1.2 Ambient Conditions

 Operation under any other ambient condition would require approval from the manufacturer


Operating conditions

- Ambient temperature -5 °C to +45 °C
- Relative humidity (non-condensing) – long-term ≤ 85 %
- Setup height above sea level ≤ 1000 m

Storage conditions

- Ambient temperature +10 °C to +50 °C
- Relative humidity (non-condensing) – long-term ≤ 85 %


1.3 Tightening Torques

 Tightening torques should be applied at the following torque values:

| Position | Torque Values (Nm) |
|---|-------------------------------|
| Inspection Window | 3.4 Nm |
| Port Flange | 90 Nm |
| Rotor Shoe | 150 Nm |
| Motor to Gearbox | 87 Nm (112/132 size motor) |
| | 150 Nm (160/180 size Motor) |
| Gearbox to GMU Adaptor | 145 Nm (303/4/5 gearbox size) |
| | 230 Nm (306 gearbox size) |
| GMU Adaptor to Housing | 160 Nm |
| Frames to Casing | 100 Nm |
| Front Cover | 100 Nm |
| Seal Plate, Filler Port & Service Cover | 3.4 Nm |
| Drive Coupling | 40 Nm |

Table 2 Tightening Torques

1.4 Preservatives

 Use RUST-BAN 335 or similar preservatives on bare metal.


1.5 Cleaning Agents (After hose is removed)

Cleaning Agents

Wax solvents, diesel paraffin, alkaline cleaners, Warm Water

Table 3 Cleaning Agents

1.6 Lubricants

 Recommended lubricants for longer hose life are VERDERLUBE or VERDERSIL.

| Pump Type | Amount of Lubricant |
|-----------|----------------------------|
| Dura 65 | 25 Litres (6.6 US Gallons) |

Table 4 Lubricant


Note

The pump lubricant is filled to the lowest screw hole of the inspection window

1.7 Solids Size Handling


| Solid Type | % of Hose ID |
|--------------------|--------------|
| Hard Solid | < 10% |
| Compressible Solid | < 80% |

Table 7 Solids Size

 For more information about specific solids handling, please consult your Verder representative.

Appendix A - Dura 65

1.8 Shimming Chart

 Shimming table set with water at 20°C. Shimming may be affected by fluid conditions and might need to be altered to match application. Each shim is 0.5 mm thick.

