

# Verderflex

## Dura 35



VERDERFLEX®

### Description

The Verderflex Dura 35 is a compact, high pressure medium flow hose pump with superior secondary containment. Designed for dosing, metering, sampling, high lift or medium head applications in brewing, chemical processing, industrial plants, water treatment and effluent and waste water processing

### Features and benefits

- Ideal for abrasive or high solid content slurries
- Self Priming, problem free pumping of gaseous liquids
- Easily pumps viscous liquids
- Gentle low shear pumping action
- Dry running capabilities
- Long life hoses
- No seals or valves
- FDA CFR21 and EC/1935, optional ATEX

### Technical data

|                            |          |                                   |         |
|----------------------------|----------|-----------------------------------|---------|
| Maximum Flow Rate          | 5488 l/h | Maximum Medium Temperature        | 80°C *  |
| Maximum Discharge Pressure | 16 bar   | Maximum Incompressible Solid Size | 3.5 mm  |
| Maximum Suction Lift       | 9.5 mwc  | Maximum Compressible Solid Size   | 8.75 mm |
| Hose ID                    | 35 mm    |                                   |         |

\* Continuous use with NR hose

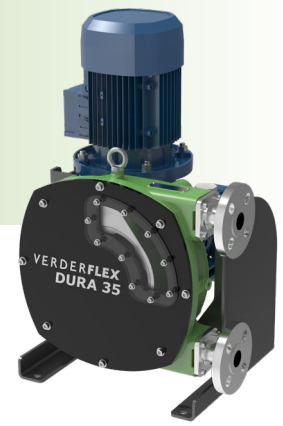
### Materials

| Description    | Material  | Paint Detail        |
|----------------|---|---------------------|
| Pump Housing   | Cast Iron (GG25)  | Green Powder Coated |
| Front Cover    | Carbon Steel with Plexiglass Inspection Window  | Powder Coated       |
| Rotor          | Cast Iron (GG25)  |                     |
| Drive Shaft    | EN24T Steel   |                     |
| Port Flange    | 316 Stainless Steel Universal slotted design fits with DIN PN16 DN32, ANSI 150# 1 1/4" & JIS10K 32, Options: 304 Stainless Steel with Polypropylene or P.V.D.F Insert*, DIN11851 Hygienic, DIN32676 Tri-clamp |                     |
| Mounting Frame | Carbon Steel  | Powder Coated       |
| Gearbox Flange | Aluminium   |                     |
| Bearing        | Bearing Steel   |                     |
| Shaft Seal     | Viton<br>Option: PTFE   |                     |
| Lubricant      | Verderlube - Glycerine based lubricant**<br>Verdersil - Silicone based lubricant***   |                     |
| Hose           | Natural Rubber (NR)<br>Options: Nitrile Buna Rubber (NBR) Ethylene Propylene Diene Monomer (EPDM), Food Grade Nitrile Buna (NBRF), Hypalon® (CSM) and Verderprene   |                     |
| Weight         | Complete pump excluding drive: 70 kg  |                     |

\* Temperature Limit for PP insert is 40°C and for PVDF insert is 80°C.

\*\* Temperature Limit for Verderlube is 50°C.

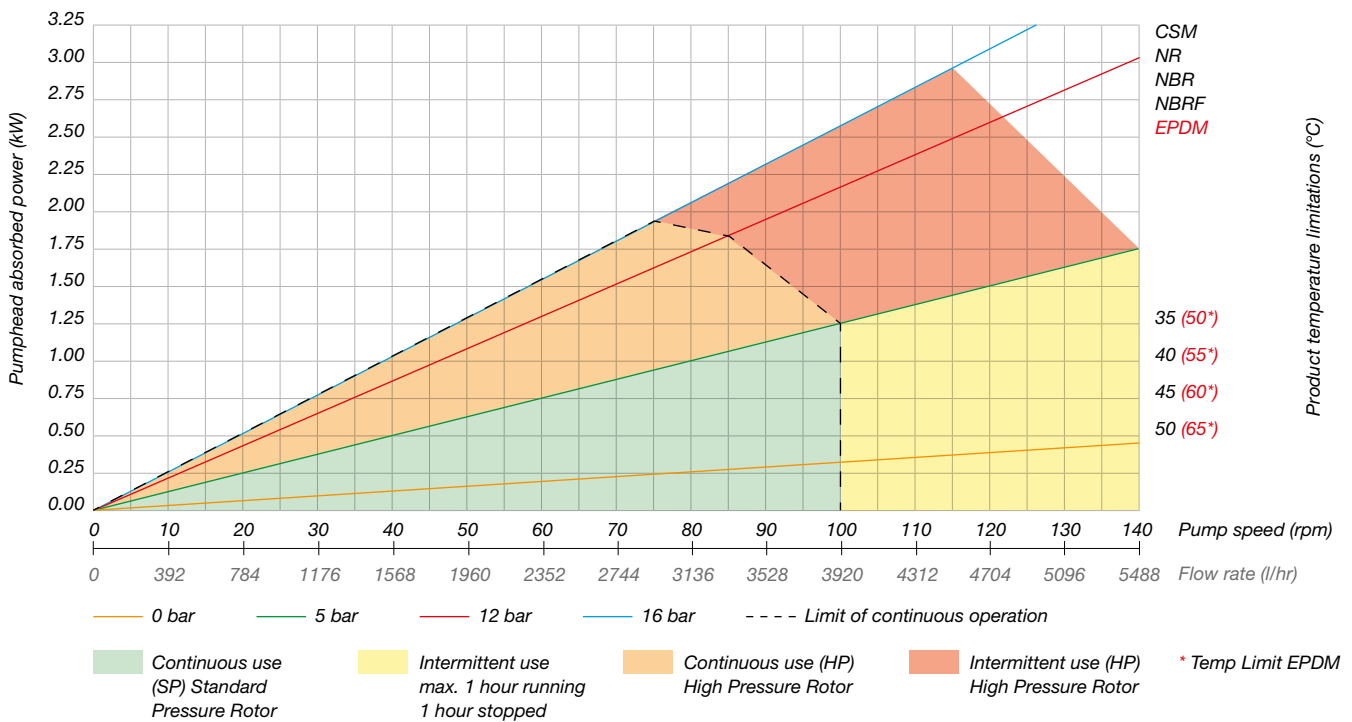
\*\*\* Suitable for application above 50°C, but subject to maximum temperature limit of the hose and applications involving strong oxidising agents and nitrogenous compounds.



### Standard Pump Options for 50Hz Motor Fitted With Worm Gearbox, Suitable for Inverter Duty

| Flow l/hr | Pump Speed RPM | Installed Motor Power kW | Max Turndown at 6 Bar discharge pressure |
|-----------|----------------|--------------------------|--|
| 431       | 11             | 0.55                     | 1.5:1                                    |
| 706       | 18             | 1.1                      | 2:1                                      |
| 1098      | 28             | 1.5                      | 2:1                                      |
| 1372      | 35             | 1.5                      | 2:1                                      |
| 1842      | 47             | 1.5                      | 2:1                                      |
| 2744      | 70             | 2.2                      | 3:1                                      |

### Performance curve



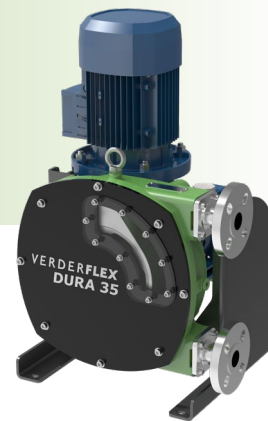
Any application below 15 Hz may require special review. Flows are typical and were measured with water at 20°C with no suction lift or discharge pressure. Actual flows will vary according to suction conditions, discharge pressure and normal component production tolerances.

DURA PUMPS OPERATING ABOVE 6 BAR REQUIRE CONSULTATION WITH MANUFACTURER OR DISTRIBUTOR.



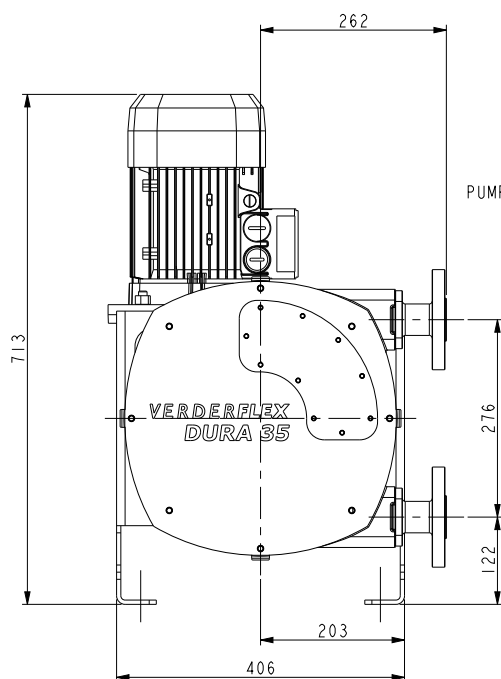
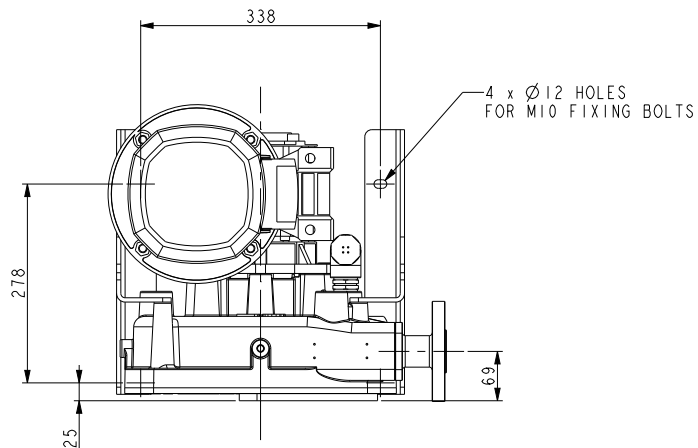
# Verderflex

## Dura 35

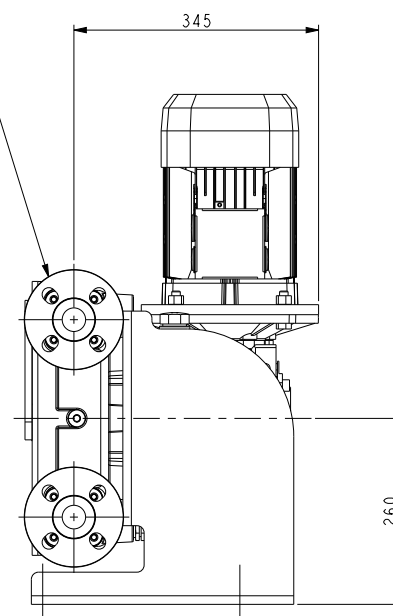


VERDERFLEX®

### Dimensions



INLET / DISCHARGE  
FLANGE OPTIONS: -  
DN32 - PN16  
1.1/4" - ANSI 1501b  
32 - JIS 10k  
PUMP CAN RUN IN EITHER DIRECTION



GMU MOTOVARIO NMRVP090 FA BN100 B5

All dimensions are in mm.

All dimensions and weights are for guidance only.

### Trademarks

VERDERFLEX® is a registered trademark of Verder International B.V. No permission is granted to use any Verder, trademarks or trade names included in this document without the prior written agreement of Verder International B.V.

Tri-clamp® is a registered trademark of Alfa Laval Corporate AB.

Hypalon® is a registered trademark of RSCC Wire & Cable LLC.

Find your local supplier at [www.verderflex.com](http://www.verderflex.com)

For construction, installation and floor mounting drawings  
please contact your local authorised Verderflex® distributor.

© Verder International B.V

**VERDER**  
passion for pumps

