

TC.DV

Stainless steel sanitary centrifugal pumps



| Main Characteristics

Range of sanitary mixed flow pumps in stainless steel which exploits the efficiency of the helicoidal screw shaped impeller in those processes which is not allowed to alter the physico-chemical characteristics of the products, even in presence of suspended solids.

Suitable for uses in the agro-food, chemical-pharmaceutical and water treatment industries.



Versions

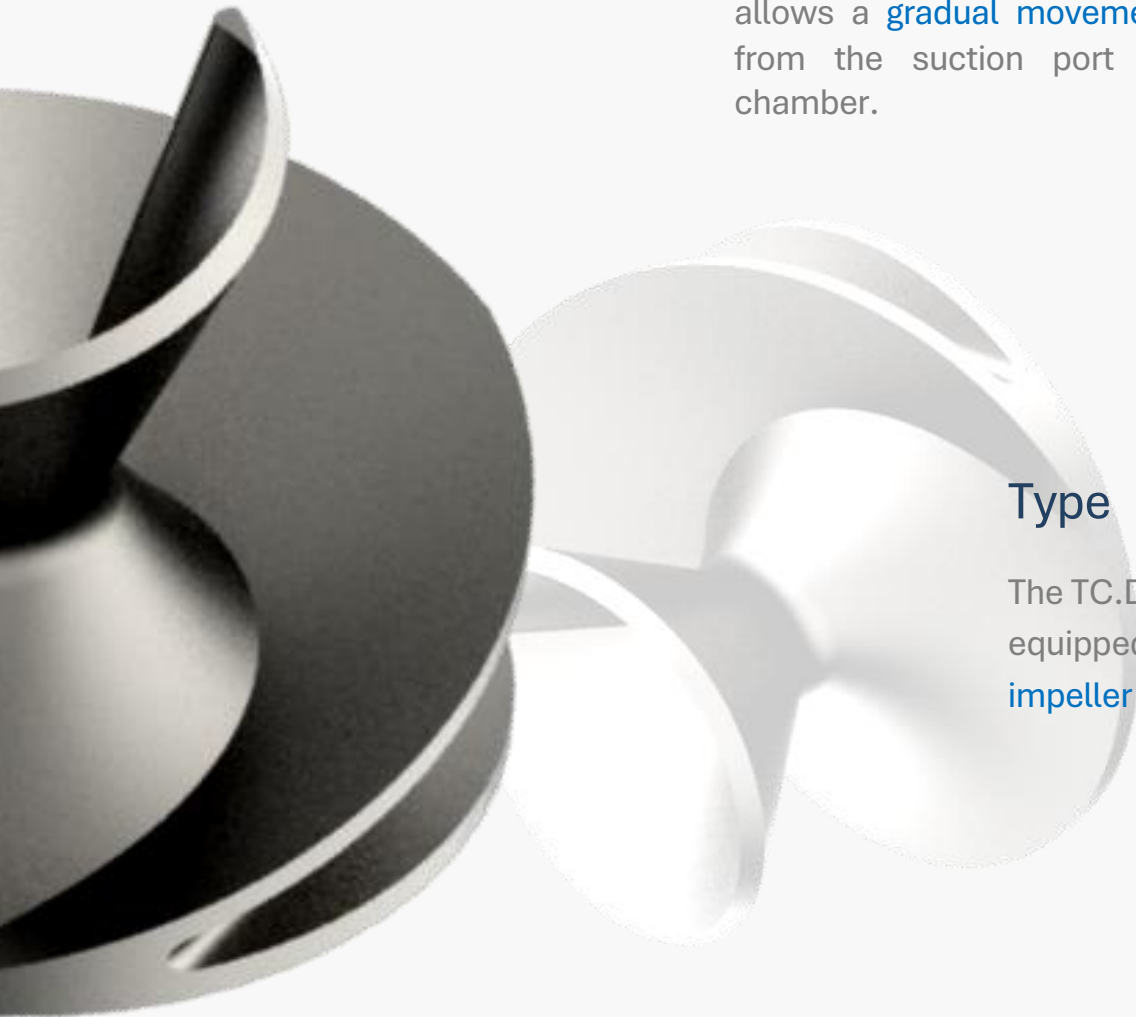
The TC.DV features a design that is indispensable in areas where the alternation of the characteristics of the treated fluid is not permitted.

The peculiar profile of the impeller combined with a conical volute prevents the pump from clogging even in the presence of solid particles.

| Impeller

The Heart

An impeller manufactured in [stainless steel AISI 316](#) with [precision casting](#); the shape allows a [gradual movement of the product](#) from the suction port to the discharge chamber.



Type

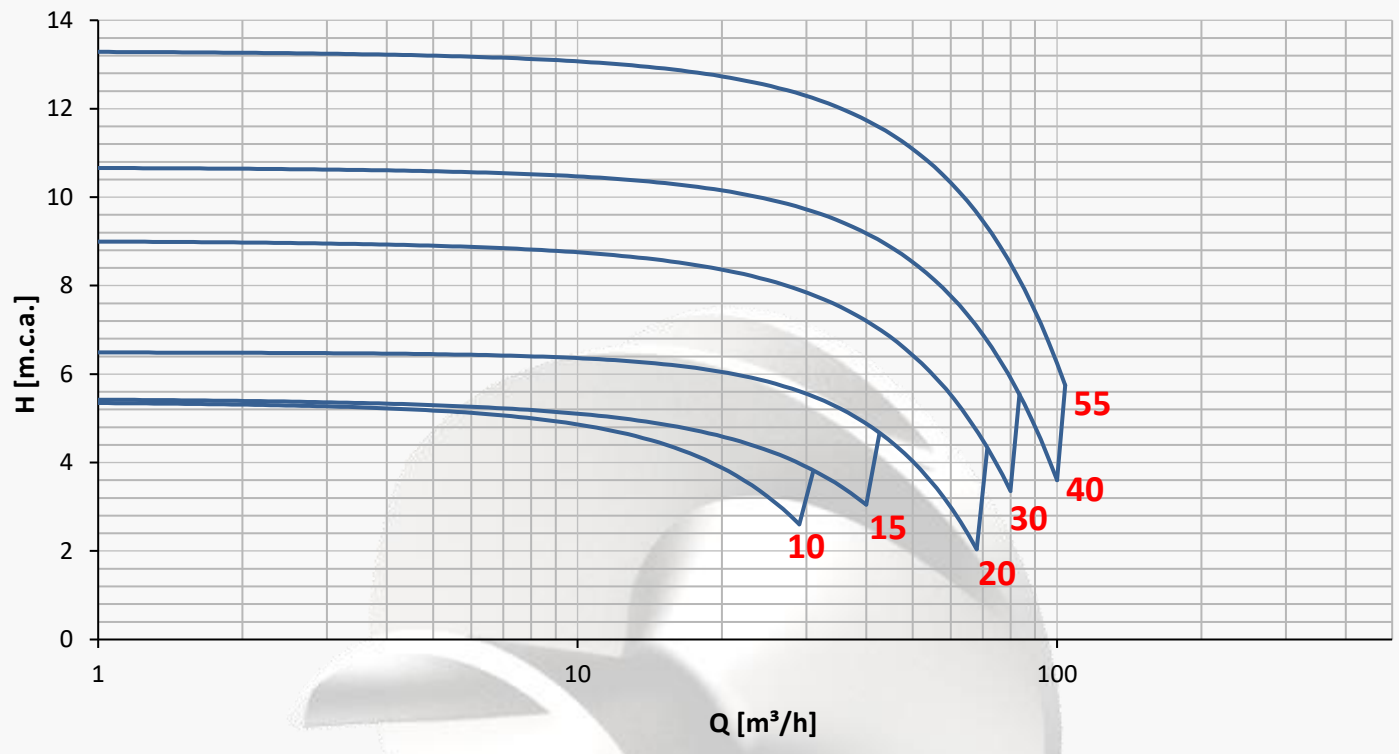
The TC.DV pump series is equipped with a [centrifugal impeller of mixed-flow type](#)

Advantages

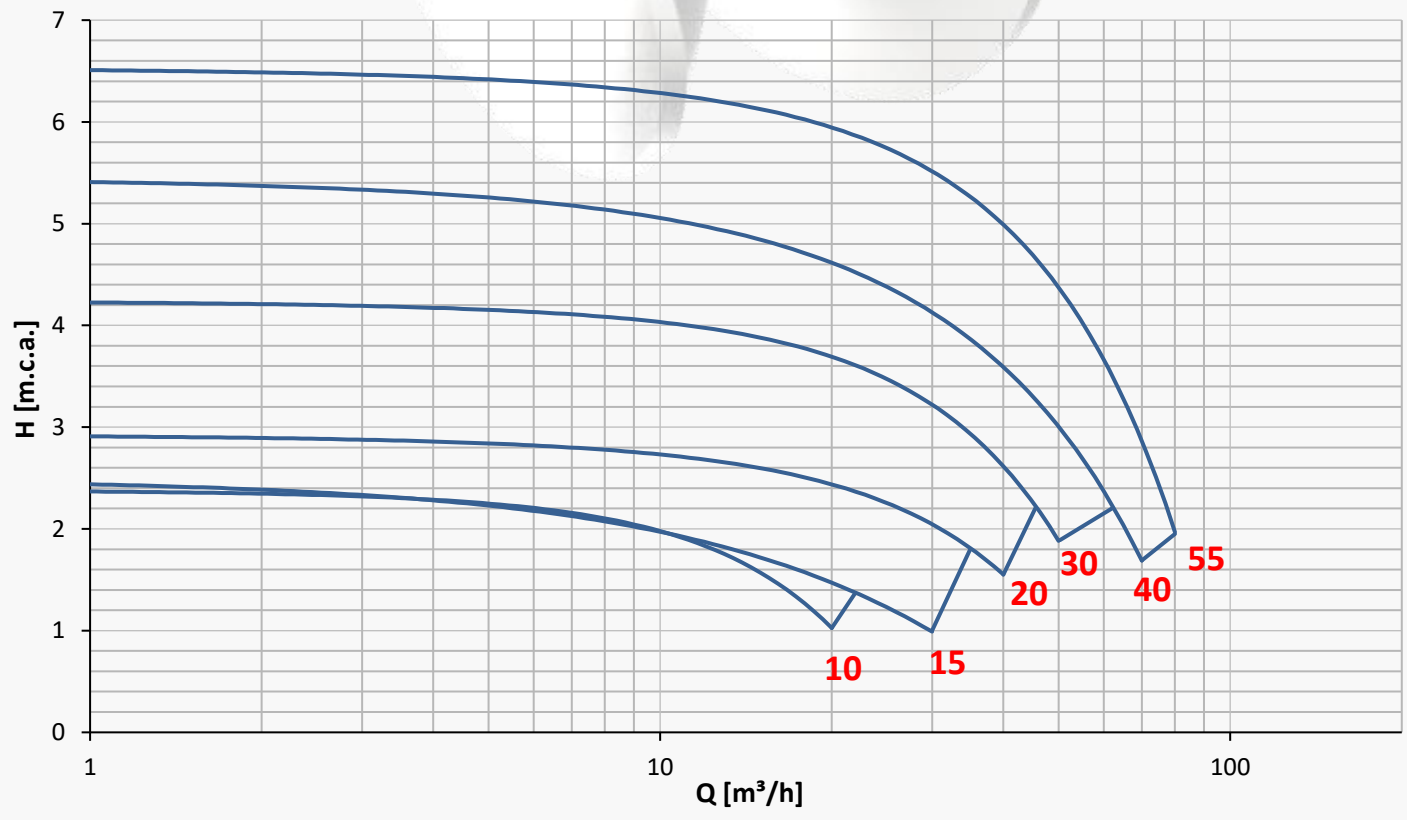
The peculiar impeller shape [allows the passage of any solid parts suspended in the liquid](#), even in different percentages

Range of Application

4 Poli – 1450 r.p.m.

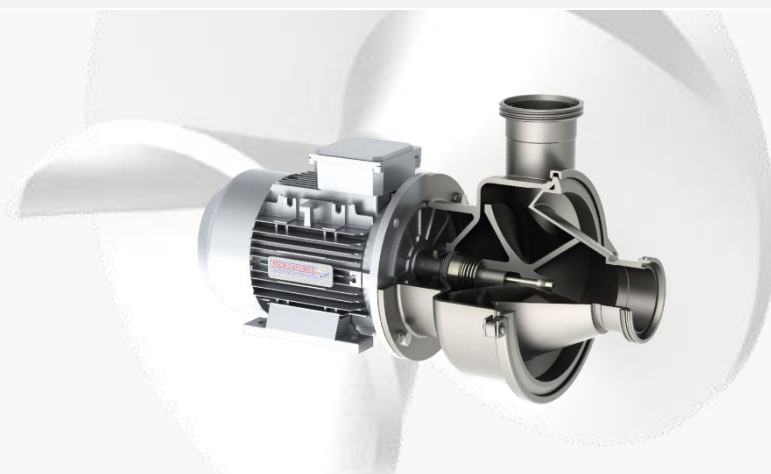


6 Poli – 950 r.p.m.



Technical Specifications

Component	Type
Connections	DIN 11851 (standard), Tri-clamp, SMS, flange (regulation on request), GAS, ENO-GAROLLA, RJT
Frame	Monobloc with B5 flange + bearings (if necessary)
Mechanical Seal	Internal single execution or external double flushed, materials of the faces and the elastomers depending on the transferred fluids
Motor	3ph, according to IEC with 2 or 4 poles, insulation class depending on the transferred fluid temperature. On request even with ATEX execution or according to specific regulations (UL-CSA, NEMA)
Pump Housing Materials	AISI 316L (1.4404), AISI 304L (1.4304), for extruded or laminated components; CF8 and CF8M for micro-casted components, in different configurations depending on duty

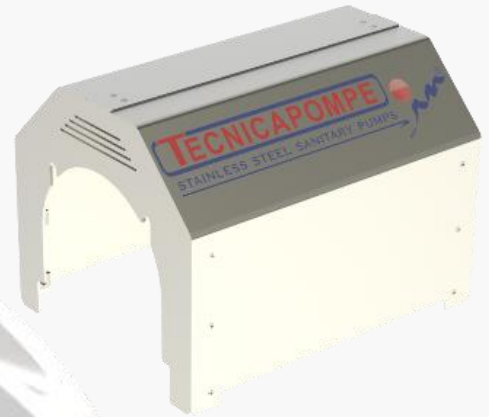


Parameters	Values
Max. Flow Rate	125 m ³ /h
Max. Head	15 m.c.a.
Temperature	between -20°C and +150°C
Max. Inlet. Pipeline Pressure	9,5 Bar on standard version
Max. Viscosity	500 cP
Dimensions of the Solids in Suspension	For liquids with suspended solids, even filamentous. The maximum dimensions of the same are indicated on the pump technical data sheet

Accessories

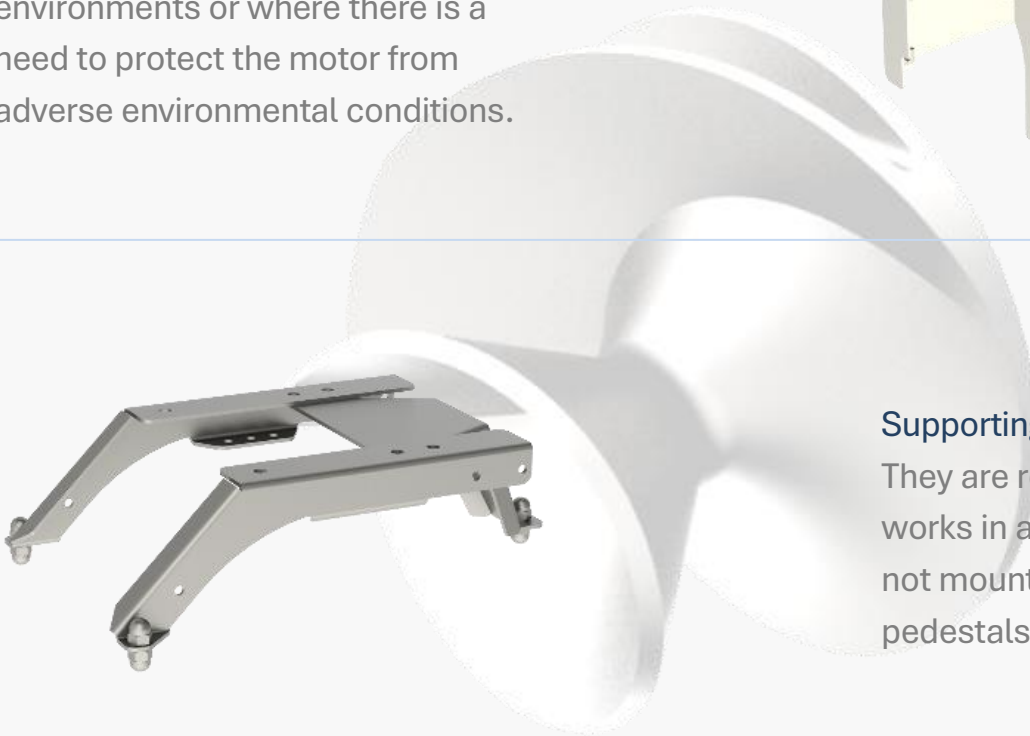
Carter

Indispensable in those applications where the pump works in wet environments or where there is a need to protect the motor from adverse environmental conditions.



Supporting Feet

They are required when the pump works in a fixed location and is not mounted on supports or pedestals.



Trolley

Useful for moving the pump from one location to another in the production department quickly and conveniently.

