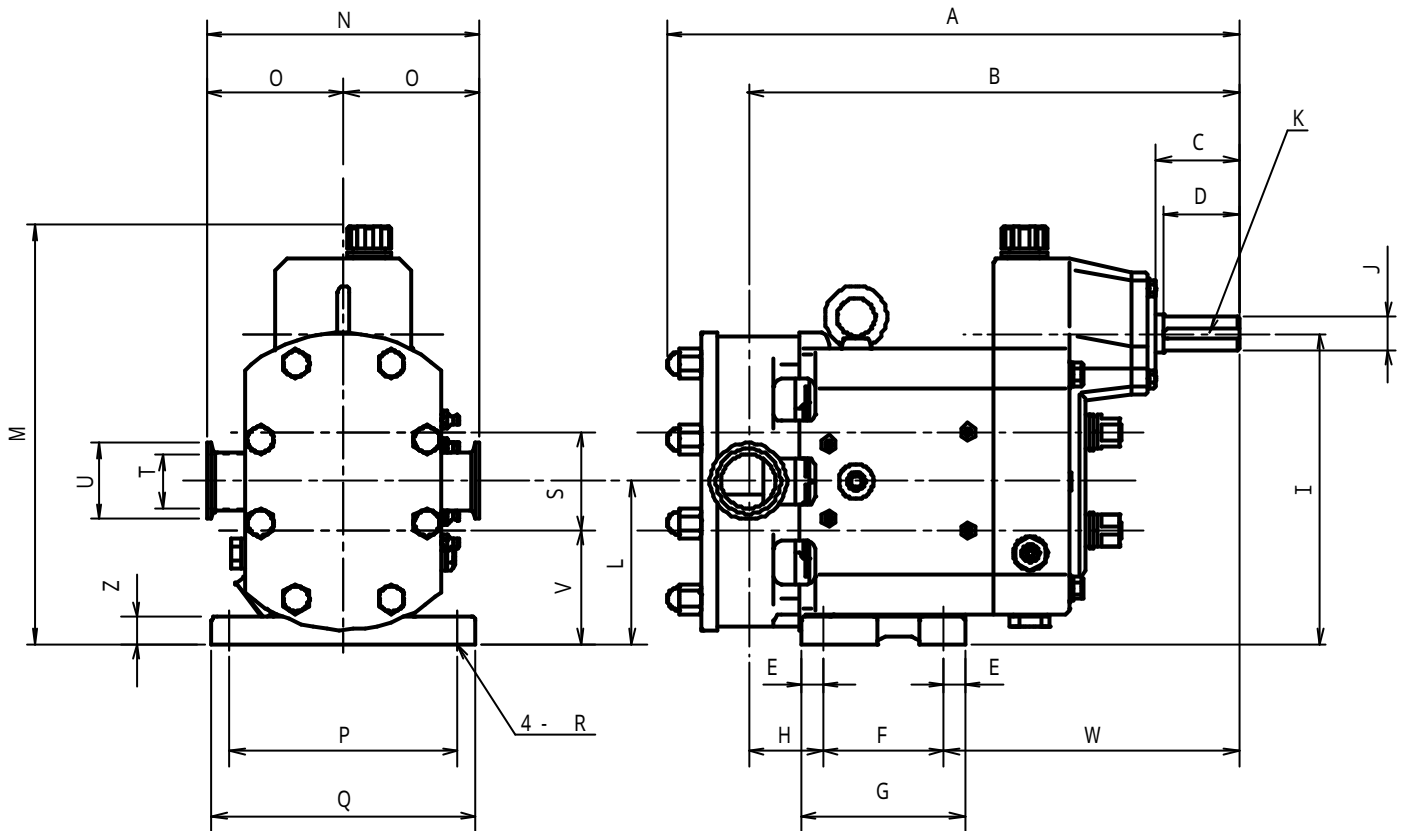


SC SERIES DIMENSIONS

HORIZONTAL CONSTRUCTION



| [mm] | | SC 15 | SC 30 | SC 60 | SC130 |
|--------|-------|-------|-------|-------|-------|
| A | | 377.5 | 447.5 | 547.5 | 577.5 |
| B | | 324 | 380 | 470 | 485 |
| C | | 55 | 56 | 65 | 65 |
| D | | 50 | 50 | 60 | 60 |
| E | | 14 | 15 | 20 | 20 |
| F | | 80 | 99 | 115 | 115 |
| G | | 108 | 129 | 155 | 155 |
| H | | 49 | 60 | 80 | 80 |
| I | | 205 | 259 | 358 | 358 |
| J | | 22 | 34 | 45 | 45 |
| K | Width | 6 | 10 | 12 | 12 |
| | Depth | 3.5 | 5 | 5 | 5 |
| L | | 107.5 | 133 | 185.5 | 185.5 |
| M | | 276.5 | 340 | 459 | 459 |
| N | | 180 | 217 | 270 | 270 |
| O | | 90 | 108.5 | 135 | 135 |
| P | | 150 | 174 | 230 | 230 |
| Q | | 174 | 198 | 260 | 260 |
| R | | 11 | 11 | 14 | 14 |
| S | | 65 | 84 | 115 | 115 |
| T | | 30 | 47 | 47 | 72 |
| U | | 1.5" | 2" | 2" | 3" |
| V | | 75 | 91 | 128 | 128 |
| W | | 195 | 221 | 275 | 275 |
| Z | | 18 | 20 | 23 | 23 |