

# Verderair VA80 High Pressure



VA80AA

VERDERAIR


Technical data				
Weight [kg]	Aluminium		68	
	Stainless Steel		116	
Suction lift [mwc]	Dry		2.4	
	Wet		8.5	
Temperature [°C]	Internals	AC / BN	-12	82
		VT	-40	135
	GE	-40	66	
	NO / NW / NE	-18	82	
	PP	0	66	
	TF	4	104	
	KY	12	107	
	SP	-40	82	
	HY	-29	66	
Max. particle size [mm]			13	

## CODE VA80 No.1 No.2 No.3 No.4 No.5 No.6 No.7

### No.1 Fluid section material

-  A = Aluminium
-  S = Stainless Steel

### No.2 Air section material

-  A = Aluminium
- P = Polypropylene

### No.3 Check valve seats material

- AL = Aluminium
- GE = Geolast
- VT = Viton (FKM)
- PP = Polypropylene
- SP = Santoprene
- SS = Stainless Steel
- AC = Acetal
- HY = Hytrel
- BN = Buna

### No.4 Check ball valves material

- GE = Geolast
- NE = Neoprene
- VT = Viton (FKM)
- NW = Neoprene weighted
- SP = Santoprene
- AC = Acetal
- HY = Hytrel
- TF = PTFE
- BN = Buna

### No.5 Diaphragm material

- GE = Geolast
- NE = Neoprene
- VT = Viton (FKM)
- NO = Neoprene Overmolded
- SP = Santoprene
- TF = PTFE/Santoprene Two piece
- BN = Buna
- HY = Hytrel

### No.6 Connections

- TB = Threaded BSP\*
- TN = Threaded NPT\*

### No.7 Options

- HP = High Pressure Standard

\* For pumps in aluminium always combined with a DIN/ANSI combi flange.

#### EXAMPLE PUMP TYPE

**VA80AA AL GE GE TB HP**

NOTE not all combinations are available



II 2 GD c IIC T4 Only VA80AA and VA80SA are ATEX approved

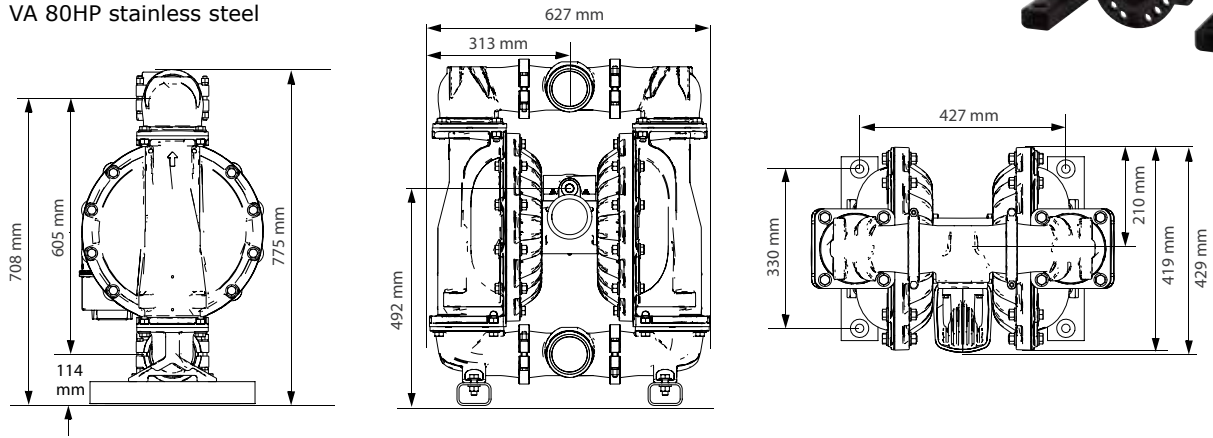


# Verderair VA80 High Pressure

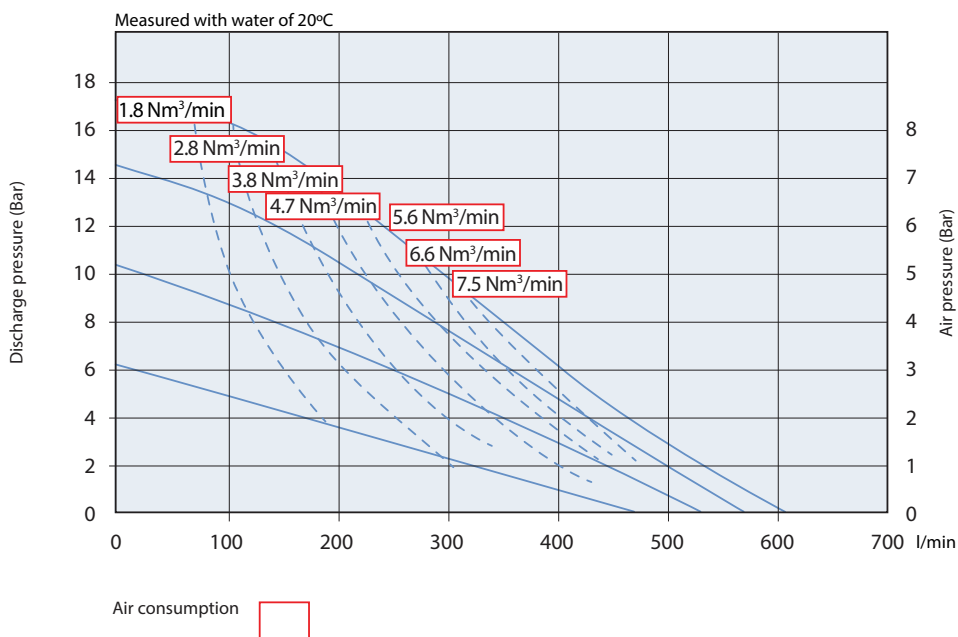
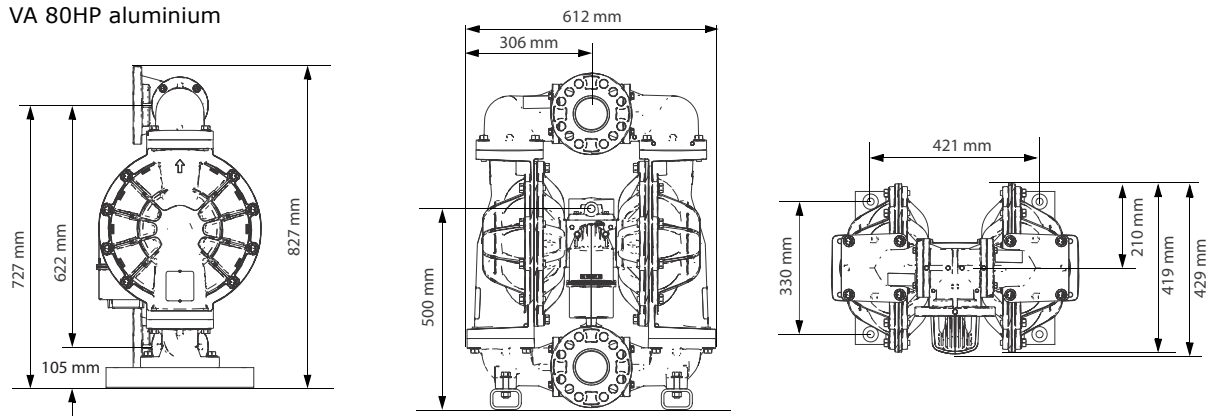
VA80AA



VA 80HP stainless steel



VA 80HP aluminium



VA80HP\_Techno\_rev02\_2013\_UK\_(eu)

Find your local supplier  
at [www.verderair.com](http://www.verderair.com)

**VERDER**  
passion for pumps