

Verderair VA 50 high pressure



VA50HP

VERDERAIR

Technical data		
Weight [kg]	Aluminium with Aluminium centre section	26
	Stainless Steel with Aluminium centre section	50
	Cast iron with Aluminium centre section	48
	Stainless Steel with Stainless Steel centre section	61
	Cast iron with Stainless Steel centre section	59
Suction lift [mwc]	Dry	2,5
	Wet	5,5
Temperature [°C]	Aluminium	5-65*
	Stainless Steel	5-65*
	Cast Iron	5-65*
Max. particle size [mm]		6,3
Non wetted material, centre section	Epoxy coated Aluminium/Stainless Steel	

* 93°C with Teflon diaphragms

CODES VA50HP NO.2 NO.3 NO.4 NO.5

no.2 material of casing

- AL = Aluminium
- SS = Stainless Steel
- CI = Cast Iron

no.3 material of seat

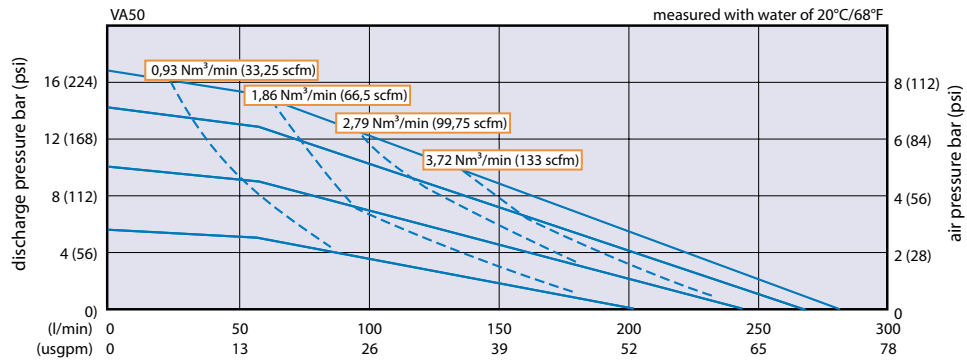
- PP = Polypropylene
- SS = Stainless Steel
- HS = Hardened Steel
- VT = Viton
- HY = Hytrel
- SP = Santoprene
- GE = Geolast
- BN = Buna N

no.4 material of valve

- TF = Teflon
- HY = Hytrel
- HS = Hardened Steel
- SP = Santoprene
- VT = Viton
- GE = Geolast
- AC = Acetal
- BN = Buna N

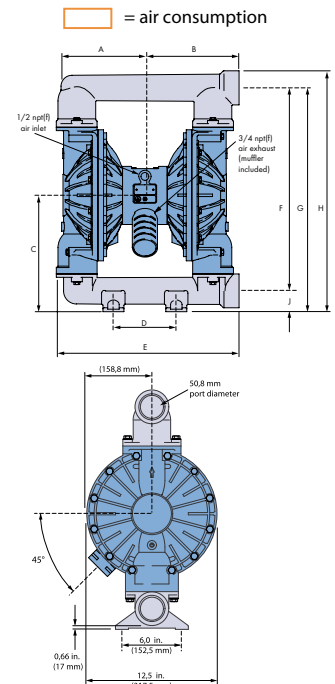
no.5 material of diaphragm

- TF = Teflon
- HY = Hytrel
- SP = Santoprene
- VT = Viton
- GE = Geolast



Dimensions in mm

	SS	CI	AL
A	227,7	213,1	213,1
B	239,0	230,1	230,1
C	393,7	312,4	312,4
D	165,1	152,4	152,4
E	458,9	443,2	443,2
F	565,7	492,0	505,5
G	625,8	542,8	556,3
H	668,0	584,2	597,7
J	60,2	50,8	50,8
K	24,1	9,7	9,7



VA50HP_Techno_Rev03-2012_(eu)

Find your local supplier at www.verderair.com

VERDER
passion for pumps