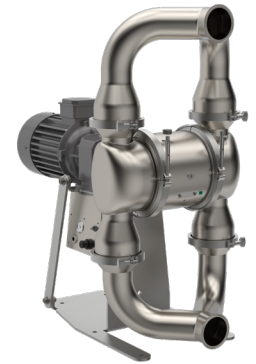


# VERDERAIR

## VA-E2H54 SF



The VA-E2H54 SF is a hygienic designed electrical operated double diaphragm pump. With the wide range of materials for valve seats, balls valves and diaphragms, this pump is the ideal problem solver for numerous hygienic applications. The VA-E2H series is used where a high degree of food safety is required. The VA-E2H is a reliable, easy to operate pump.

### Your benefits

- Most hygienic design for food applications
- Efficient engineered design which reduces the risk of contamination (low amount of products which come into contact with the medium)
- A high quality product with best price-performance ratio
- Can run against closed discharge valve without the need of overpressure safety equipment
- Dry self-priming

Technical Data			
Weight (kg)	<b>Drive option</b>	<b>Fluid &amp; air section</b>	
	WG	XS	157
	BC	XS	207
	CC	XS	198
	BX	XS	218
	CX	XS	206
	B2	XS	220
	C2	XS	211
Max. Suction lift (mwc)		Dry	1,4
		Wet	9,1
Temperature limits(°C)	<b>Internals</b>	BUNA-N	-12      82
		FKM *	-40      135
		PTFE	4      104
		EPDM overmold diaphragms	-40      121
		Santoprene	-40      82
Max. Particle size (mm)			96,5
Air connection			3/8" NPT(f)
Air consumption (Nm³/h)			< 0,006
Max. recommended viscosity (mPas)			20.000
Certifications	<b>All models</b>	CE, FDA	
	<b>Internals</b>	diaphragms EO,TS diaphragms EO,TS	EN1935/2004 USP class VI

# VERDERAIR

## VA-E2H54 SF

**Code VA-E2H54 No.1 No.2 No.3 No.4.No.5.No.6.No.7.No.8.No.9**

**No. 1 Fluid Section Material**

⊕ X = 316 Stainless Steel, Ra : 0,8µm

**No. 2 Air Section Material**

⊕ S = 316 Stainless Steel

**No. 3 Check Valve seat material**

- SE = SS seat with EPDM o-rings
- SB = SS seat with Buna-N o-rings
- ST = SS seat with EP-TF o-rings
- SV = SS seat with FKM o-rings

**No. 4 Check ball valves material**

FL = SS316 Flapper

**No. 5 Diaphragm material**

- BN = BUNA-N
- EO = EPDM overmolded
- SP = Santoprene
- TS = PTFE/Santoprene 2 piece
- VT = Viton

**No. 6 Connections**

- D1 = DIN 11851, DN100, male
- T1 = Tri-Clamp (ASME BPE), 4"

**No. 7 Drive options**

- BC = Gearbox with 4,0 kW drive (pump speeds : 105 or 87 RPM)
- CC = Gearbox with 3,0 kW drive (pump speed : 73 RPM)
- Gearbox with 2,2kW drive (pump speed : 54 RPM)

B2 = BC + compressor 240V/50Hz

C2 = CC + compressor 240V/50Hz

⊕ BX = Gearbox with 4,0 kW drive (pump speed +/- 90 RPM)

⊕ CX = Gearbox with 2,2 kW drive (pump speed +/- 54 RPM)

⊕\*\*WG = No gearbox, no drive

**No. 8 Pump style**

SF = Flapper valve execution

**No. 9 Certifications**

21 = EN 10204 type 2.1

31 = EN 10204 type 3.1

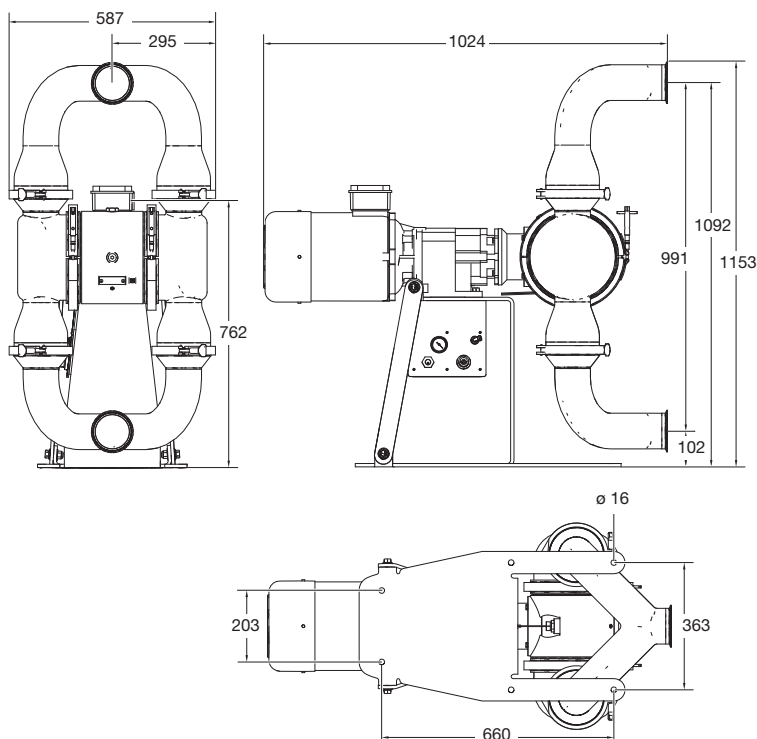
NOTE not all combinations are available

⊕ II 2 G Ex d h IIB T3 Gb \*\*⊕\*\* II 2 G Ex h IIB T3 Gb

**EXAMPLE PUMP TYPE**

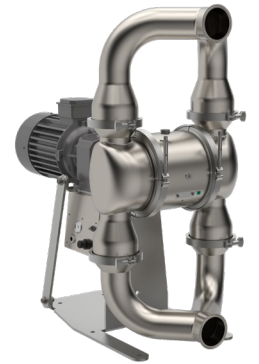
**VA-E2H54 XS SE FE FL D5 BC SF 21**

**Dimensions (mm) typical only for pumps with 4 kW drive**

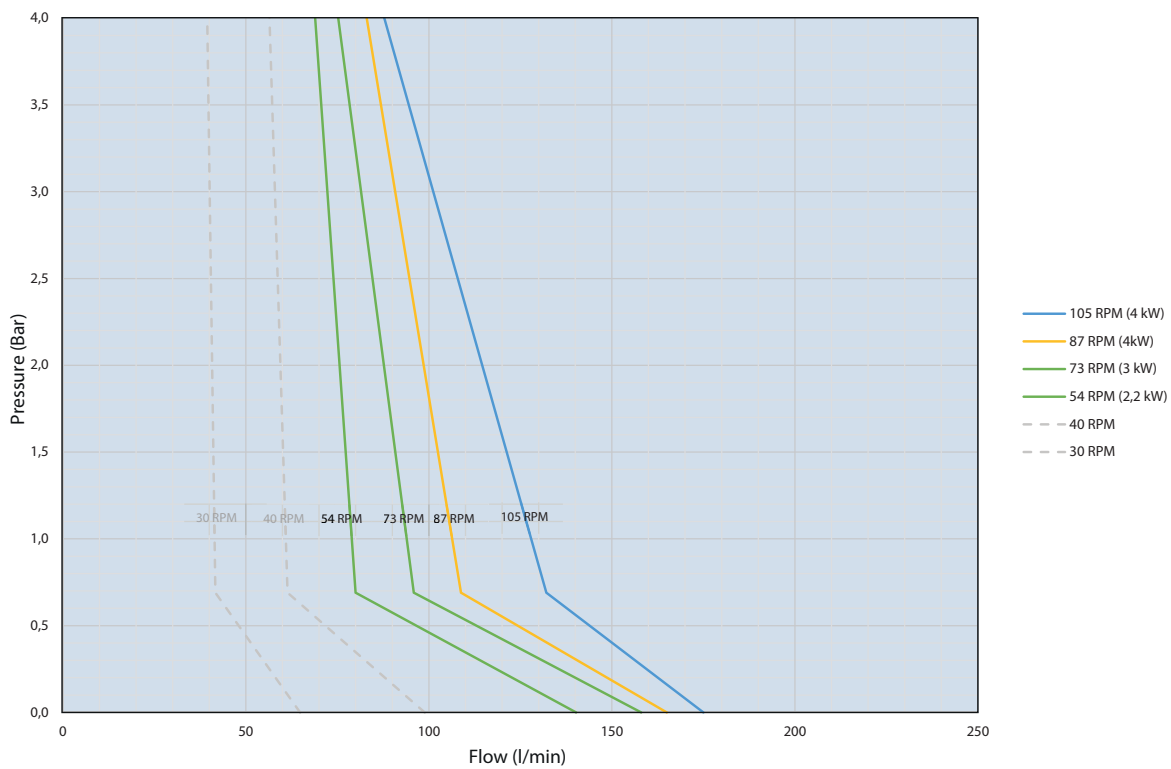


# VERDERAIR

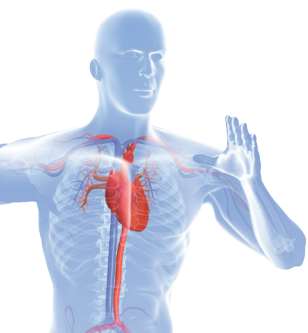
## VA-E2H54 SF



### Flow rate



Datasheet\_VA-E2H54\_SF\_EU



Find your local supplier at [www.verderliquids.com](http://www.verderliquids.com)

For construction, installation and floor mounting drawings  
please contact your local authorised Verderair® distributor.

**VERDER**  
passion for pumps