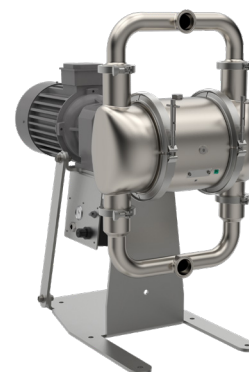


# VERDERAIR

## VA-E2H52 3A



The VA-E2H52 3A is a hygienic designed electrical operated double diaphragm pump. With the wide range of materials for valve seats, balls valves and diaphragms, this pump is the ideal problem solver for numerous hygienic applications. The VA-E2H series is used where a high degree of food safety is required. The VA-E2H is a reliable, easy to operate pump.

### Your benefits

- Most hygienic design for food applications
- Efficient engineered design which reduces the risk of contamination (low amount of products which come into contact with the medium)
- A high quality product with best price-performance ratio
- Can run against closed discharge valve without the need of overpressure safety equipment
- Dry self-priming

Technical Data				
<i>Weight (kg)</i>	<b>Drive option</b>	<b>Fluid &amp; air section</b>		
	WG	XS	135	
	AC	XS	200	
	BC	XS	185	
	CC	XS	176	
	AX	XS	253	
	BX	XS	195	
	CX	XS	184	
	A2	XS	213	
	B2	XS	198	
C2	XS	189		
<i>Max. Suction lift (mwc)</i>		Dry	4,3	
		Wet	9,1	
<i>Temperature limits (°C)</i>	<b>Internals</b>	BUNA-N	-12	82
		FKM *	-40	135
		Neoprene	-18	82
		PTFE	4	104
		EPDM overmold diaphragms	-40	121
		Santoprene	-40	82
<i>Max. Particle size (mm)</i>			12,7	
<i>Air connection</i>			3/8" NPT(f)	
<i>Air consumption (Nm³/h)</i>			< 0,006	
<i>Max. recommended viscosity (mPas)</i>			20.000	

VERDERAIR  
VA-E2H52 3A



Code VA-E2H52 No.1 No.2 No.3 No.4.No.5.No.6.No.7.No.8		
<p><b>No. 1 Fluid Section Material</b>   X = 316 Stainless Steel, Ra : 0,8µm</p> <p><b>No. 2 Air Section Material</b>   S = 316 Stainless Steel</p> <p><b>No. 3 Check Valve seat material</b>                      SE = SS seat with EPDM o-rings                      ST = SS seat with EP-TF o-rings                      SV = SS seat with FKM o-rings</p> <p><b>No. 4 Check ball valves material</b>                      BN = BUNA-N                      NW = Neoprene weighted                      SP = Santoprene   TF = PTFE                      VT = Viton</p>	<p><b>No. 5 Diaphragm material</b>                      BN = BUNA-N   EO = EPDM overmolded                      SP = Santoprene   TS = PTFE/Santoprene 2 piece                      VT = Viton</p> <p><b>No. 6 Connections</b>                      D5 = DIN 11851, DN50, male                      T5 = Tri-Clamp (ASME BPE), 2"</p> <p><b>No. 7 Drive options</b>                      AC = Gearbox with 5,5 kW drive                      (pump speeds : 164,145 or 130 RPM)                      BC = Gearbox with 4,0 kW drive                      (pump speeds : 105 or 87 RPM)                      CC = Gearbox with 3,0 kW drive                      (pump speed : 73 RPM)</p>	<p>Gearbox with 2,2kW drive                      (pump speed : 54 RPM)                      A2 = AC + compressor 240V/50Hz                      B2 = BC + compressor 240V/50Hz                      C2 = CC + compressor 240V/50Hz</p> <p><b>No. 8 Pump style</b>                      3A = Ball valve execution, 3A                      (leak sensors included)</p> <p><b>No. 9 Certifications</b>                      21 = EN 10204 type 2.1                      31 = EN 10204 type 3.1</p>

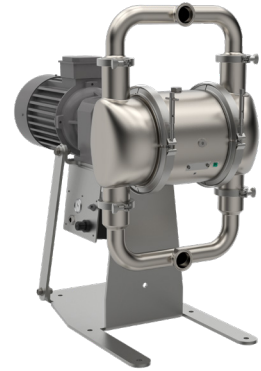
NOTE not all combinations are available

II 2 G Ex d h IIB T3 Gb II 2 G Ex h IIB T3 Gb

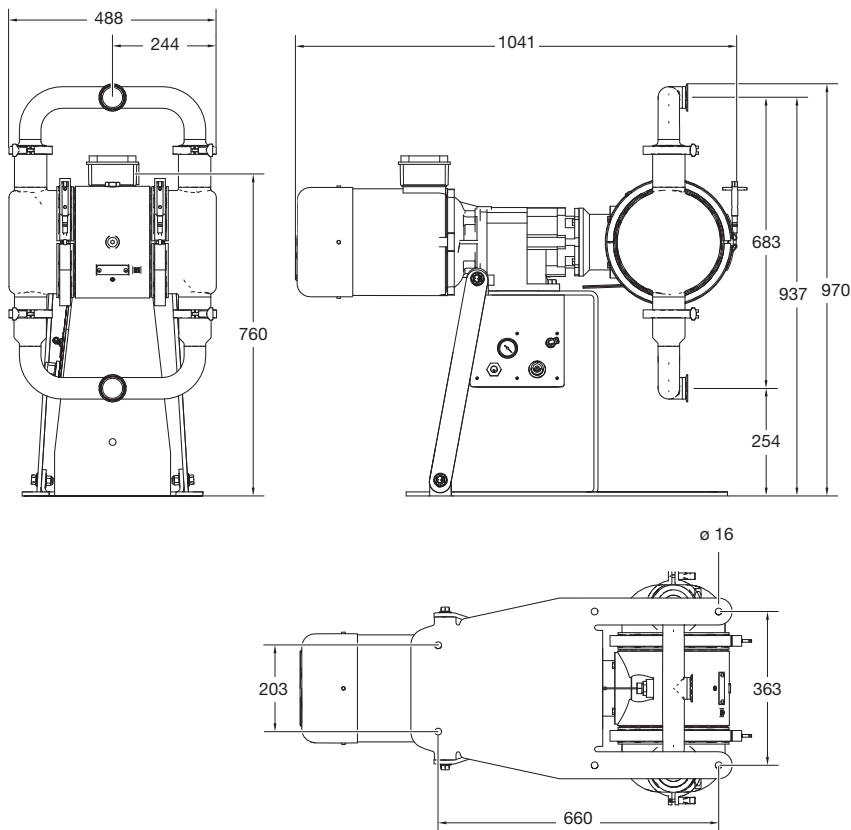
**EXAMPLE PUMP TYPE**

**VA-E2H52 XS SE TF EO D5 AC 3A 21**

VERDERAIR  
VA-E2H52 3A

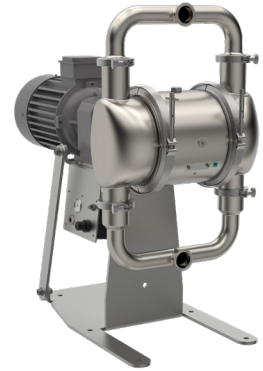


Dimensions (mm) typical only for pumps with 5,5 kW drive

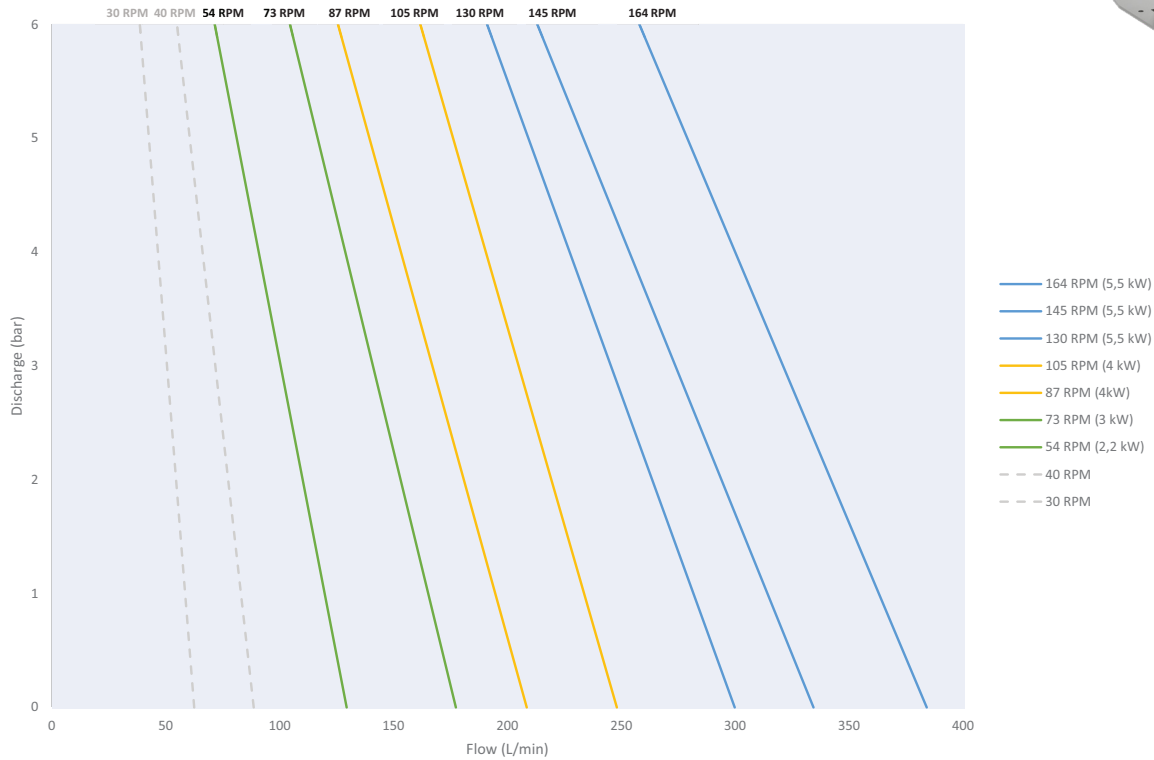


# VERDERAIR

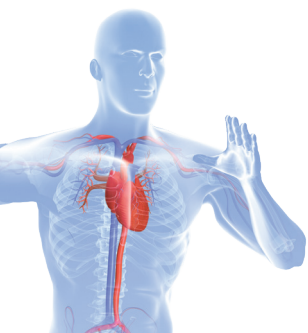
## VA-E2H52 3A



### Flow rate



Datasheet\_VA-E2H52\_3A\_EU\_rev1



Find your local supplier at [www.verderliquids.com](http://www.verderliquids.com)

For construction, installation and floor mounting drawings  
please contact your local authorised Verderair® distributor.

**VERDER**  
passion for pumps