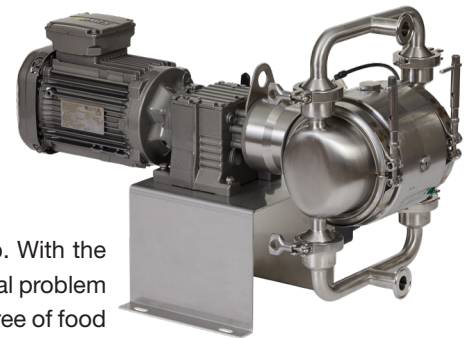


# VERDERAIR

## VA-E2H25 SB



The VA-E2H25 SB is a hygienic designed electrical operated double diaphragm pump. With the wide range of materials for valve seats, valve balls and diaphragms, this pump is the ideal problem solver for numerous hygienic applications. The VA-E2H series is used where a high degree of food safety is required. The VA-E2H is a reliable, easy to operate pump.

### Your benefits

- Most hygienic design for food applications
- Efficient engineered design which reduces the risk of contamination (low amount of products which come into contact with the medium)
- A high quality product with best price-performance ratio
- Can run against closed discharge valve without the need of overpressure safety equipment
- Dry self-priming

Technical Data				
Weight (kg)	<b>Drive option</b>	<b>Fluid &amp; air section</b>		
	AC/BC	XS-YS	80	
	AX/BX	XS-YS	80	
	IG	XS-YS	66	
Max. Suction lift (mwc)		Dry	4,9	
		Wet	8,8	
Temperature limits (°C)	<b>Internals</b>	BUNA-N	-12	82
		FKM *	-40	135
		Neoprene	-18	82
		PTFE	4	104
		PTFE overmold diaphragms	4	82
		Santoprene	-40	82
Electric Motor	<b>Drive option</b>	AC, BC, A2, B2,	Power (kW)	1,5
			Voltage (V)	3 x 230/400
		AX, BX	Power (kW)	1,5
			Voltage (V)	3 x 230/400
Max. Particle size (mm)			10,7	
Air connection			3/8" NPT(f)	
Air consumption (Nm³/h)			< 0,006	
Max. recommended viscosity (mPas)			10.000	
Certifications	<b>All models</b>	CE, FDA		
	<b>Internals</b>	Diaphragms TO,TS in combination with TF valves	EN1935/2004	
		Diaphragms TS in combination with TF valves	USP class VI	

# VERDERAIR

## VA-E2H25 SB

Code VA-E2H25 No.1 No.2 No.3 No.4.No.5.No.6.No.7.No.8.No.9

**No. 1 Fluid Section Material**

- ⊕ X = 316 Stainless Steel, Ra : 0,8µm
- ⊕ Y = 316 Stainless Steel, Ra : 0,5µm

**No. 2 Air Section Material**

- ⊕ S = 316 Stainless Steel

**No. 3 Check Valve seat material**

- SE = SS seat with EPDM o-rings
- SB = SS seat with Buna-N o-rings
- ST = SS seat with EP-TF o-rings
- SV = SS seat with FKM o-rings

**No. 4 Check ball valves material**

- BN = BUNA-N
- NW = Neoprene weighted
- SP = Santoprene
- ⊕ TF = PTFE
- ⊕ VT = Viton

**No. 5 Diaphragm material**

- BN = BUNA-N
- SP = Santoprene
- TO = PTFE/EPDM overmolded
- TS = PTFE/Santoprene 2 piece
- VT = Viton

**No. 6 Connections**

- D2 = DIN 11851, DN25, male
- T2 = Tri-Clamp (ASME BPE), 1"

**No. 7 Drive options**

- AC = ± 160 RPM, Gearbox with AC drive
- BC = ± 80 RPM, Gearbox with AC drive
- A2 = AC + compressor 240V/50Hz
- B2 = BC + compressor 240V/50Hz
- ⊕ AX = ± 160 RPM, Gearbox with Atex drive
- ⊕ BX = ± 80 RPM, Gearbox with Atex drive
- ⊕ IG\* = IEC90 gearbox (18,08 ratio)

**No. 8 Pump style**

- SB = Ball valve execution

**No. 9 Certifications**

- 21 = EN 10204 type 2.1
- 31 = EN 10204 type 3.1

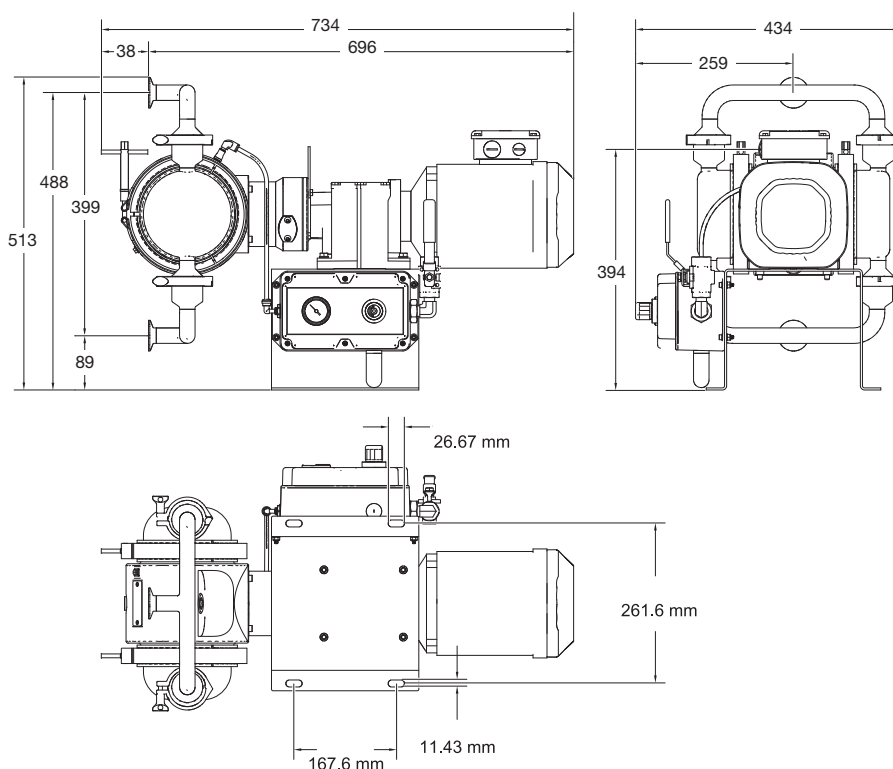
NOTE not all combinations are available

⊕ II 2 G Ex d h IIB T3 Gb ⊕\* II 2 G Ex h IIB T3 Gb

EXAMPLE PUMP TYPE

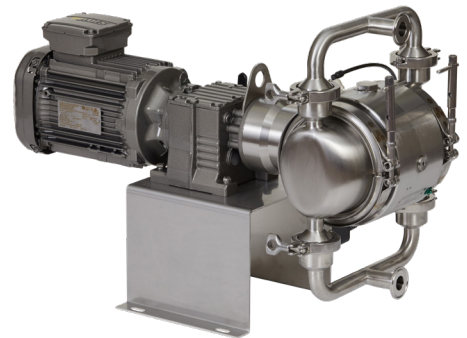
VA-E2H25 XS ST TF TO D2 AC SB 21

**Dimensions (mm) typical only**

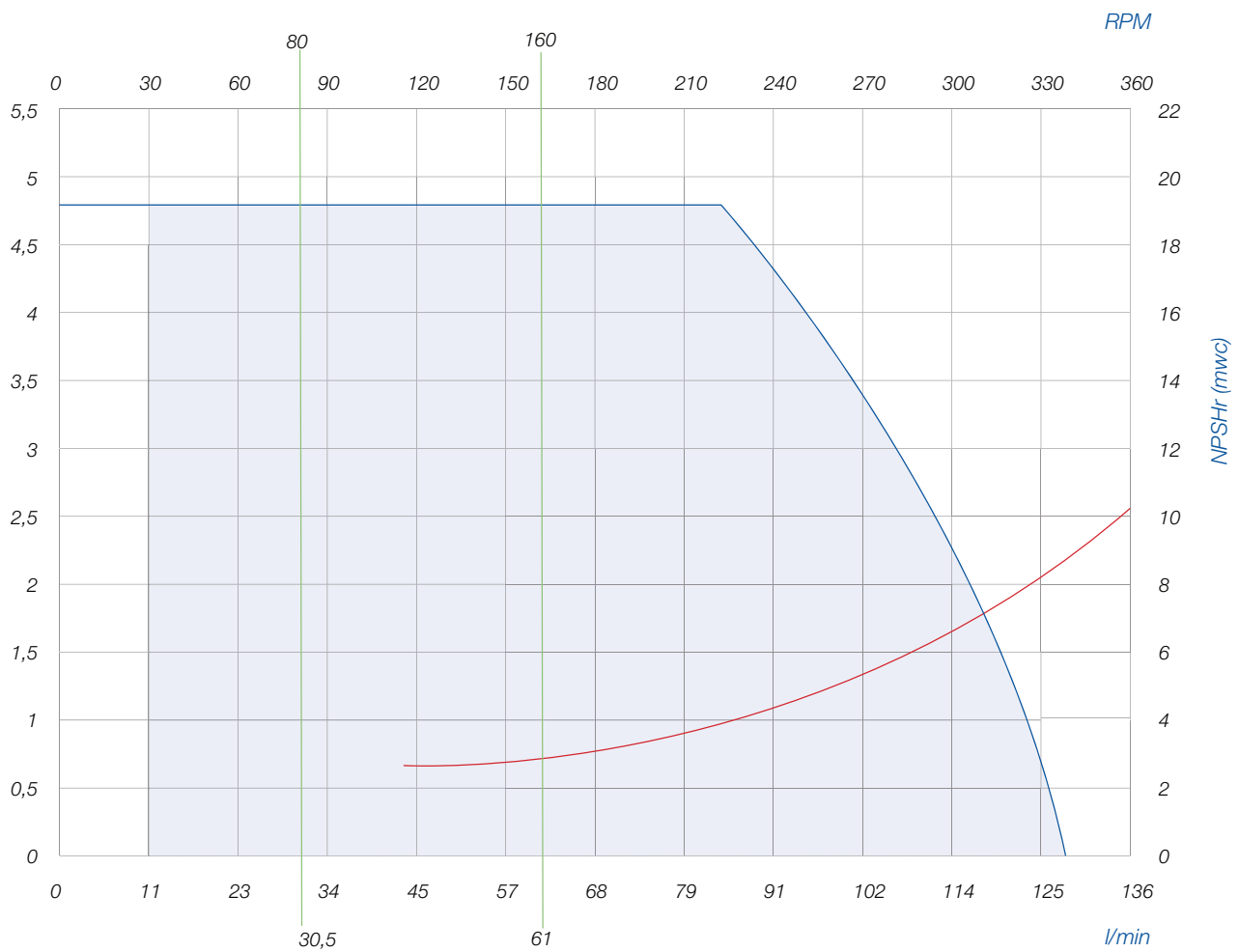


# VERDERAIR

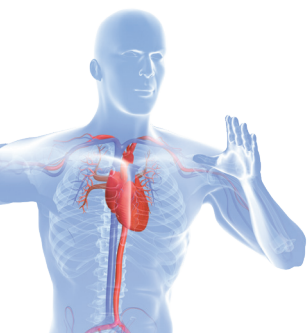
## VA-E2H25 SB



### Flow rate



Datasheet\_VA-E2H25\_SB\_EU



Find your local supplier at [www.verderliquids.com](http://www.verderliquids.com)

For construction, installation and floor mounting drawings  
please contact your local authorised Verderair® distributor.

**VERDER**  
passion for pumps