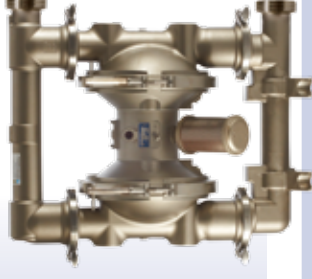


Verderair VA-H50 FD

VA-H50 FD



Technical data	
Weight [kg]	SS models 66,7
	SA models 64
Suction lift [mwc]	Dry 4,8
	Wet 8,9
Temperature [°C]	SP -40
	TF / TO 4
	NW -18
Max. Particle size [mm]	6,3
Max. Viscosity (mPas)	20000
Certifications	Internals TF EN1935/2004
	All models FDA

Code VA-H50 No.1 No.2 No.3 No.4 No.5 No.6 No.7

no.1 Fluid section material

S = 316 Stainless Steel, Ra: 3,2µm

No. 2 Air Section material

S = 316 Stainless Steel, Ra: 3,2µm

A = Aluminium

No. 3 Check Valve seat material

SE = SS seat with EPDM o-rings

ST = SS seat with PTFE o-rings

No. 4 Check ball valves material

SP = Santoprene

TF = PTFE

NW = Neoprene Weighted

No. 5 Diaphragm material

SP = Santoprene

TF = PTFE/EPDM 2 piece

TO = PTFE/EPDM overmolded

No. 6 Fluid connections

D6 = DIN 11851, DN65, male

T6 = Tri-Clamp (ASME BPE), 2 1/2"

No. 7 Pump Style

FD = Food grade design

EXAMPLE PUMP TYPE

VA-H50SS ST TF TO D6 FD

NOTE not all combinations are available



Ex II 2 GD c IIB T6

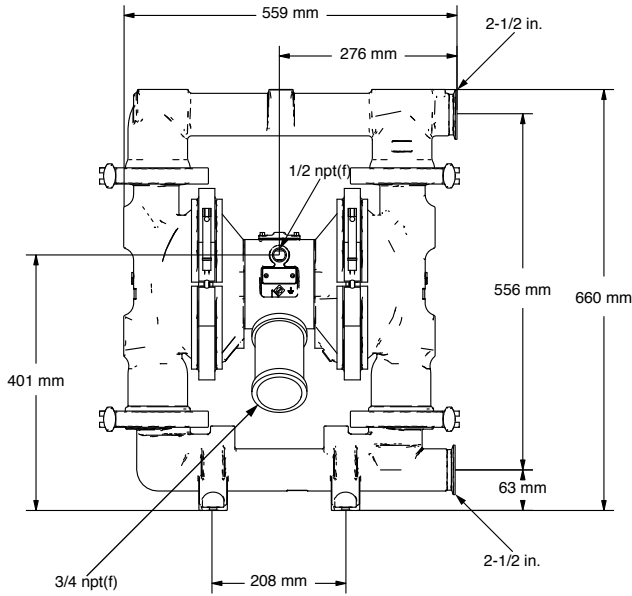
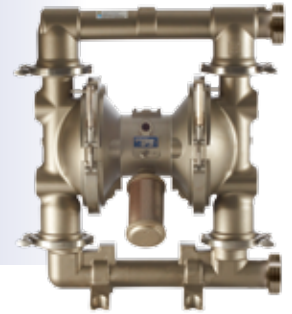


EN 1935/2004

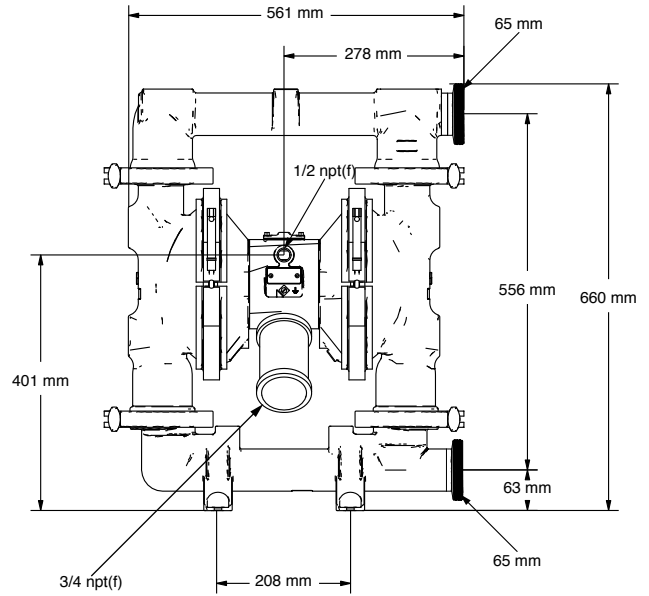


Verderair VA-H50 FD

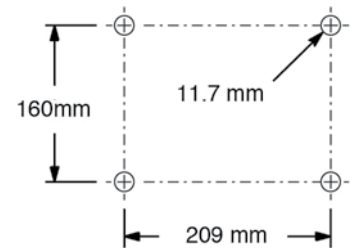
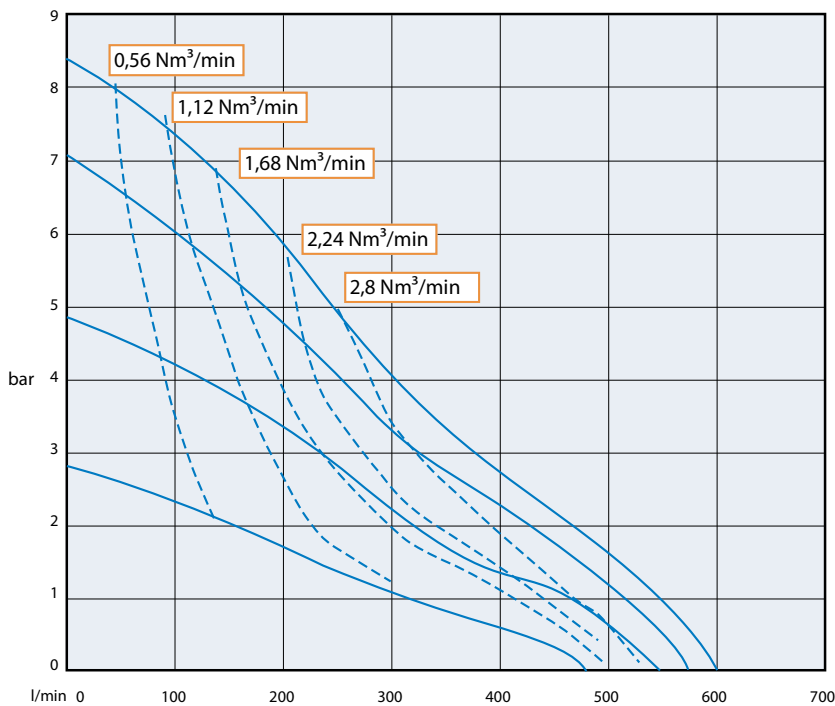
VA-H50 FD



VA-H50-FD Tri-Clamp



VA-H50-FD Din



Footprint

Air consumption

VA-H50 FD_Techno_Rev01-2014_EU_(eu)

Find your local supplier at www.verderair.com

VERDER
passion for pumps