

VERDERAIR

VA-2H25 SB



The VA-2H25 SB is a hygienic designed electrical or air operated double diaphragm pump. With the wide range of materials for valve seats, ball valves and diaphragms, this pump is the ideal problem solver for numerous hygienic applications. The VA-2H series is used where a high degree of food safety is required. The VA-2H is a reliable, easy to operate pump.

Your benefits

- Most hygienic design for food applications
- Efficient engineered design which reduces the risk of contamination (low amount of products which come into contact with the medium)
- A high quality product with best price-performance ratio
- Can run against closed discharge valve without the need of overpressure safety equipment
- Dry self-priming

Technical Data			
Weight (kg)	Ball version	22,9	
Suction lift (mWc)	dry	3	
	wet	9,1	
Temperature limits internals (°C)	BUNA-N	-12	82
	FKM *	-40	135
	Neoprene	-18	82
	PTFE	4	104
	PTFE overmold diaphragms	4	82
	Santoprene	-40	82
Max. particle size (mm)	Ball versions	10,7	
Max. viscosity (mPas)		10000	
Fluid displacement/cycle (litres)	Ball versions	0,64	
Certifications	All models		CE / FDA
	Internals diaphragms	TO,TS with TF valves	EN1935/2004
		TS with TF valves	USP class VI

* The maximum temperature listed is based on the ATEX standard for T4 temperature classification.
If you are operating in a non-ATEX zone, FKM maximum temperature is 160°C

Code VA-2H25 No.1 No.2 No.3 No.4 No.5 No.6 No.7 No.8		
<p>No. 1 Fluid Section Material</p> <p>☒ X = 316 Stainless Steel, Ra : 0,8µm</p> <p>☒ Y = 316 Stainless Steel, Ra : 0,5µm</p> <p>No. 2 Air Section Material</p> <p>☒ S = 316 Stainless Steel</p> <p>☒ E = 316 Polished Stainless Steel</p> <p>No. 3 Check Valve seat material</p> <p>SE = SS seat with EPDM o-rings</p> <p>SB = SS seat with Buna-N o-rings</p> <p>ST = SS seat with EP-TF o-rings</p> <p>SV = SS seat with FKM o-rings</p>	<p>No. 4 Check ball valves material</p> <p>BN = BUNA-N</p> <p>NW = Neoprene weighted</p> <p>SP = Santoprene</p> <p>☒ TF = PTFE</p> <p>VT = Viton</p> <p>No. 5 Diaphragm material</p> <p>BN = BUNA-N</p> <p>SP = Santoprene</p> <p>☒ TO = PTFE/EPDM overmolded</p> <p>☒ TS = PTFE/Santoprene 2 piece</p> <p>VT = Viton</p>	<p>No. 6 Connections</p> <p>D2 = DIN 11851, DN25, male</p> <p>T2 = Tri-Clamp (ASME BPE), 1"</p> <p>No. 7 Pump Style</p> <p>SB = Ball valve execution</p> <p>No. 8 Wetted material certifications</p> <p>21 = EN 10204 type 2.1</p> <p>31 = EN 10204 type 3.1</p>

NOTE not all combinations are available

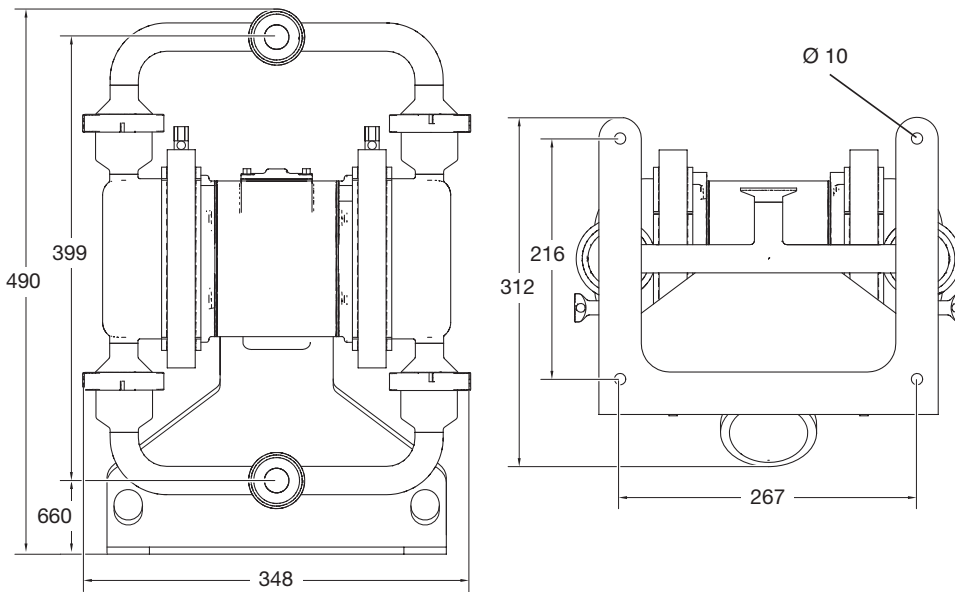
☒ II 2 GD ☒ IIA T6...T3 Gb X ☒ h IIIB T160°C Db ☒ EN 1935/2004

EXAMPLE PUMP TYPE
VA-2H25XS ST TF TS D2 SB 21

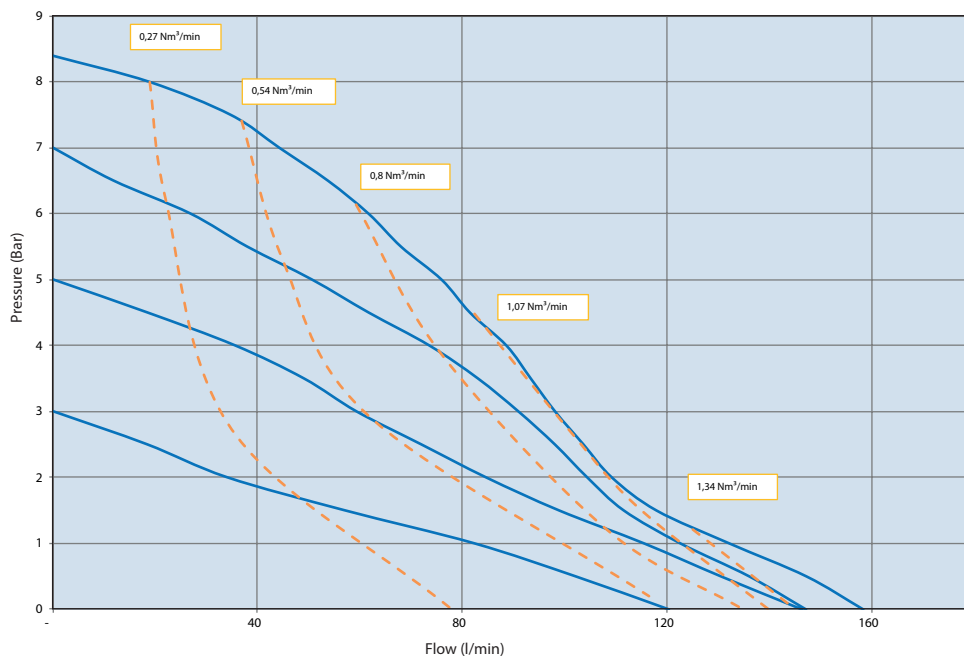
VERDERAIR

VA-2H25 SB

Dimensions (mm)



Flow rate / air consumption

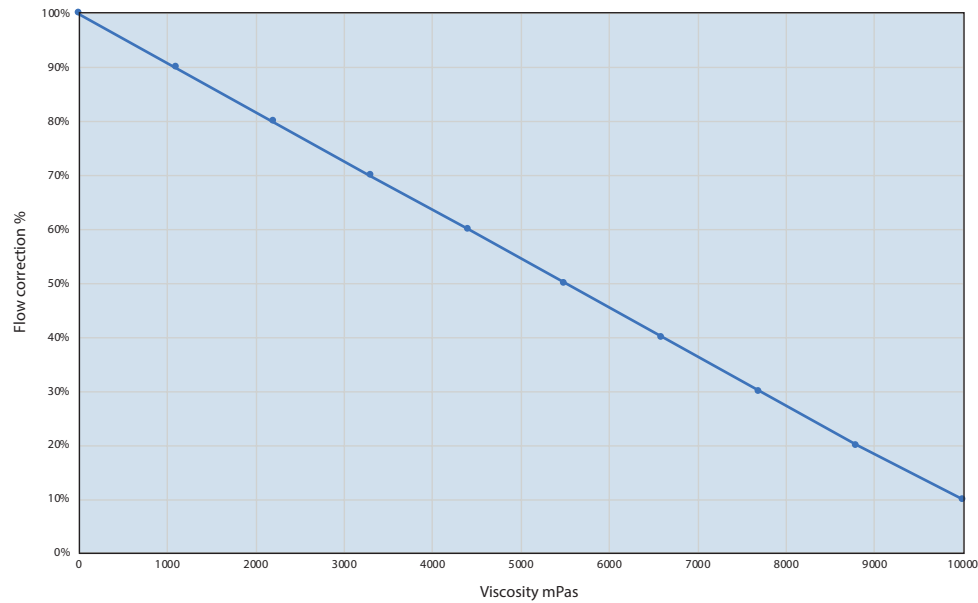


VERDERAIR

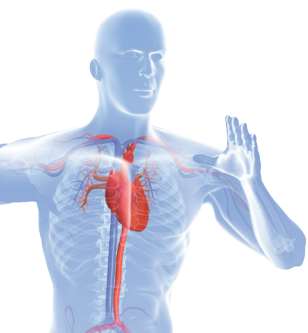
VA-2H25 SB



Viscosity correction curve



Datasheet_VA-2H25 SB_EU



Find your local supplier at www.verderliquids.com

For construction, installation and floor mounting drawings
please contact your local authorised Verderair® distributor.

VERDER
passion for pumps