

# VERDERAIR

## VA-2H40 SB

The VA-2H40 SB is a hygienic designed air operated double diaphragm pump. With the wide range of materials for valve seats, balls valves and diaphragms, this pump is the ideal problem solver for numerous hygienic applications. The VA-2H series is used where a high degree of food safety is required. The VA-2H is a reliable, easy to operate pump.



### Your benefits

- Most hygienic design for food applications
- Efficient engineered design which reduces the risk of contamination (low amount of products which come into contact with the medium)
- A high quality product with best price-performance ratio
- Can run against closed discharge valve without the need of overpressure safety equipment
- Dry self-priming

Technical Data			
Weight (kg)	Ball version	40,4	
Suction lift (mWc)	dry	3	
	wet	9,1	
Temperature limits internals (°C)	BUNA-N	-12	82
	FKM *	-40	135
	EPDM	-40	135
	Neoprene	-18	82
	PTFE	4	104
	PTFE overmold diaphragms	4	82
	Santoprene	-40	82
Max. particle size (mm)	Ball versions	12,7	
Max. viscosity (mPas)		15000	
Fluid displacement/cycle (litres)	Ball versions	2,46	
Certifications	All models	-	CE / FDA
	Internals diaphragms	EO, TO, TS with TF valve balls	EN1935/2004
		EO, TS with TF valve balls	USP class VI
* The maximum temperature listed is based on the ATEX standard for T4 temperature classification. If you are operating in a non-ATEX zone, FKM maximum temperature is 160°C			

# VERDERAIR

## VA-2H40 SB

Code VA-2H40 No.1 No.2 No.3 No.4 No.5 No.6 No.7 No.8

**No. 1 Fluid Section Material**

- ☒ X = 316 Stainless Steel, Ra : 0,8µm
- ☒ Y = 316 Stainless Steel, Ra : 0,5µm

**No. 2 Air Section Material**

- ☒ S = 316 Stainless Steel
- ☒ E = 316 Polished Stainless Steel

**No. 3 Check Valve seat material**

- SE = SS seat with EPDM o-rings
- SB = SS seat with Buna-N o-rings
- ST = SS seat with EP-TF o-rings
- SV = SS seat with FKM o-rings

**No. 4 Check ball valves material**

- BN = BUNA-N
- EP = EPDM
- NW = Neoprene weighted
- SP = Santoprene
- ☒ TF = PTFE
- VT = Viton

**No. 5 Diaphragm material**

- BN = BUNA-N
- ☒ EO = EPDM overmolded
- SO = Santoprene overmolded
- SP = Santoprene
- ☒ TO = PTFE/EPDM overmolded
- ☒ TS = PTFE/Santoprene 2 piece
- VT = Viton

**No. 6 Connections**

- D4 = DIN 11851, DN40, male
- T4 = Tri-Clamp (ASME BPE), 1 1/2"

**No. 7 Pump Style**

- SB = Ball valve execution

**No. 8 Wetted material certifications**

- 21 = EN 10204 type 2.1
- 31 = EN 10204 type 3.1

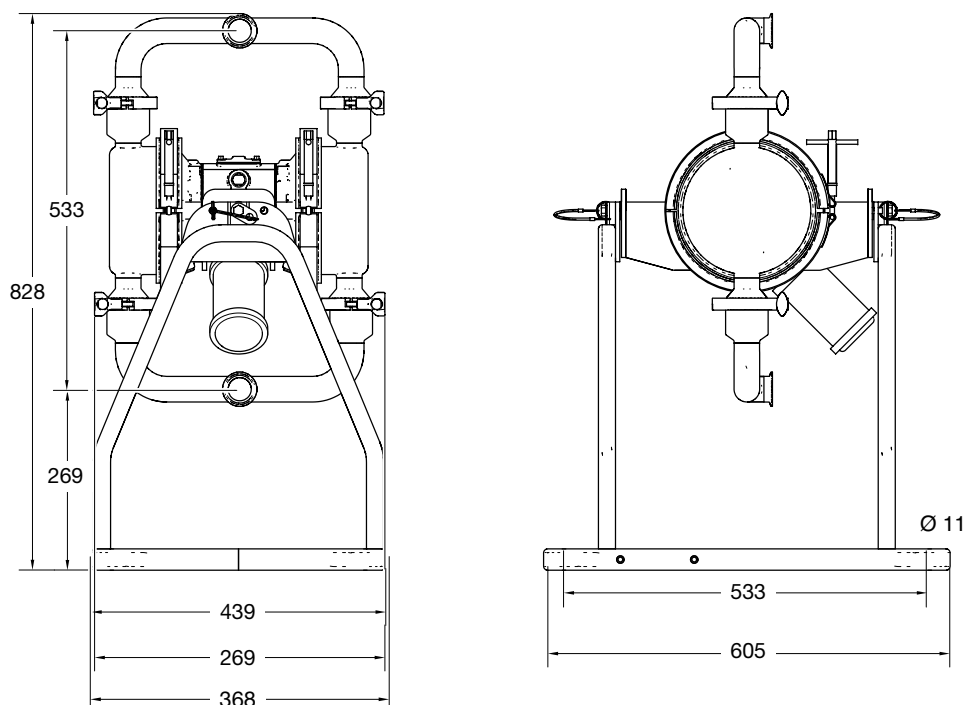
NOTE not all combinations are available

☒ II 2 GD ☒ h IIA T6...T3 Gb X ☒ h IIB T160°C Db ☒ EN 1935/2004

**EXAMPLE PUMP TYPE**

**VA-2H40XS ST TF TS D4 SB 21**

**Dimensions (mm)**

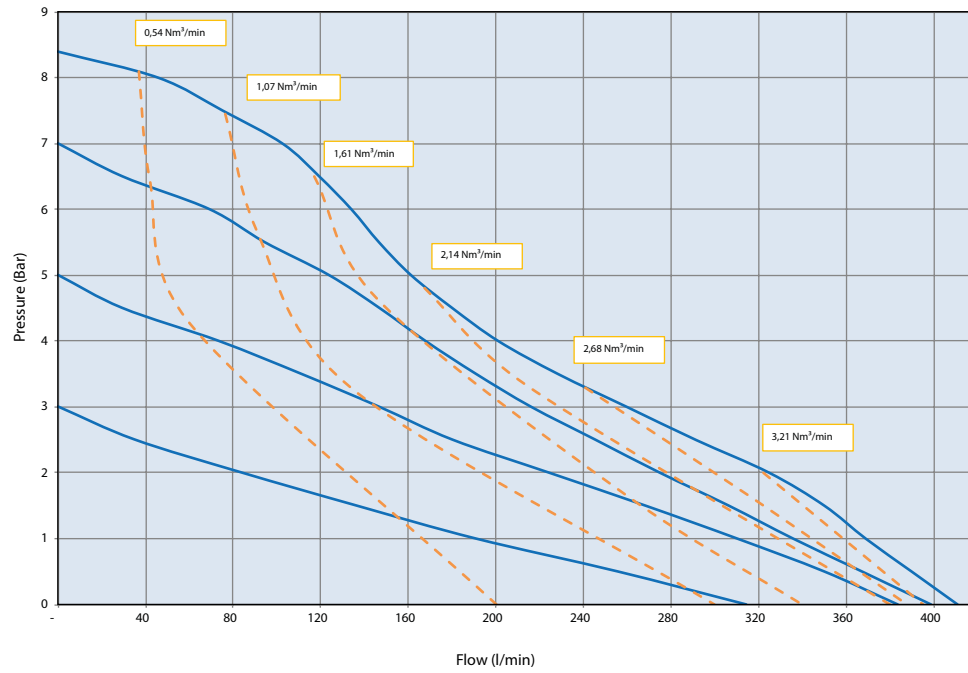


# VERDERAIR

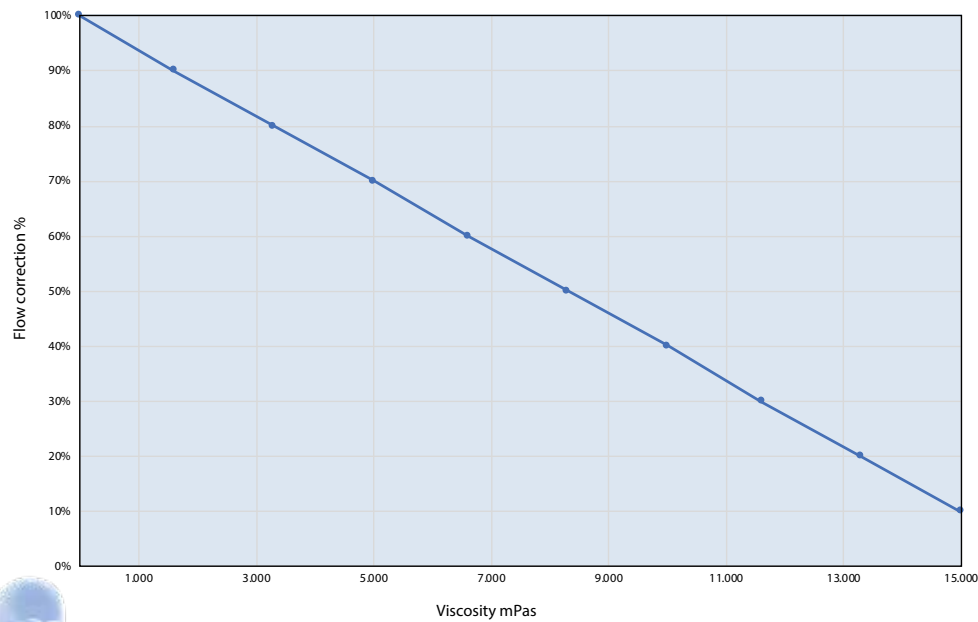
## VA-2H40 SB



### Flow rate / air consumption



### Viscosity correction curve



Datasheet\_VA-2H40 SB\_EU



Find your local supplier at [www.verderliquids.com](http://www.verderliquids.com)

For construction, installation and floor mounting drawings please contact your local authorised Verderair® distributor.