

VERDERAIR

VA-2H52 SB

The VA-2H52 SB is a hygienic designed electrical or air operated double diaphragm pump. With the wide range of materials for valve seats, ball valves and diaphragms, this pump is the ideal problem solver for numerous hygienic applications. The VA-2H series is used where a high degree of food safety is required. The VA-2H is a reliable, easy to operate pump.



Your benefits

- Most hygienic design for food applications
- Efficient engineered design which reduces the risk of contamination (low amount of products which come into contact with the medium)
- A high quality product with best price-performance ratio
- Can run against closed discharge valve without the need of overpressure safety equipment
- Dry self-priming

Technical Data			
Weight (kg)	Ball version	50,3	
Suction lift (mWc)	dry	3	
	wet	9,1	
Temperature limits internals (°C)	BUNA-N	-12	82
	FKM *	-40	135
	EPDM	-40	135
	Neoprene	-18	82
	PTFE	4	104
	PTFE overmold diaphragms	4	82
	Santoprene	-40	82
Max. particle size (mm)	Ball versions	12,7	
Max. viscosity (mPas)		20000	
Fluid displacement/cycle (litres)	Ball versions	4,9	
Certifications	All models	-	CE / FDA
	Internals diaphragms	EO, TO, TS with TF valves	EN1935/2004
		EO, TS with TF valves	USP class VI
* The maximum temperature listed is based on the ATEX standard for T4 temperature classification. If you are operating in a non-ATEX zone, FKM maximum temperature is 160°C			

VERDERAIR

VA-2H52 SB

Code VA-2H52 No.1 No.2 No.3 No.4 No.5 No.6 No.7 No.8

No. 1 Fluid Section Material

- ☒ X = 316 Stainless Steel, Ra : 0,8µm
- ☒ Y = 316 Stainless Steel, Ra : 0,5µm

No. 2 Air Section Material

- ☒ S = 316 Stainless Steel
- ☒ E = 316 Polished Stainless Steel

No. 3 Check Valve seat material

- SE = SS seat with EPDM o-rings
- SB = SS seat with Buna-N o-rings
- ST = SS seat with EP-TF o-rings
- SV = SS seat with FKM o-rings

No. 4 Check ball valves material

- BN = BUNA-N
- EP = EPDM
- NW = Neoprene weighted
- SP = Santoprene
- ☒ TF = PTFE
- VT = Viton

No. 5 Diaphragm material

- BN = BUNA-N
- ☒ EO = EPDM overmolded
- SO = Santoprene overmolded
- SP = Santoprene
- ☒ TO = PTFE/EPDM overmolded
- ☒ TS = PTFE/Santoprene 2 piece
- VT = Viton

No. 6 Connections

- D5 = DIN 11851, DN50, male
- T5 = Tri-Clamp (ASME BPE), 2"

No. 7 Pump Style

- SB = Ball valve execution

No. 8 Wetted material certifications

- 21 = EN 10204 type 2.1
- 31 = EN 10204 type 3.1

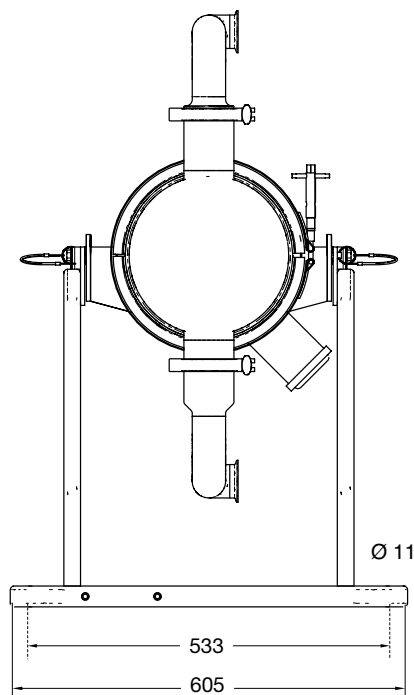
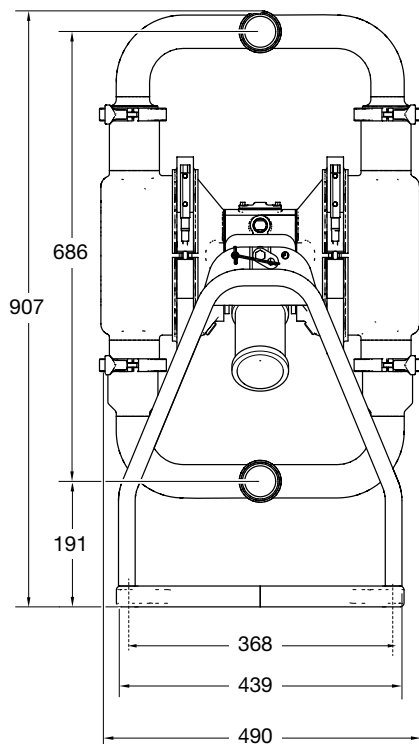
NOTE not all combinations are available

☒ II 2 GD ☒ h IIA T6...T3 Gb X ☒ h IIIB T160°C Db ☒ EN 1935/2004

EXAMPLE PUMP TYPE

VA-2H52XS ST TF TS D5 SB 21

Dimensions (mm)

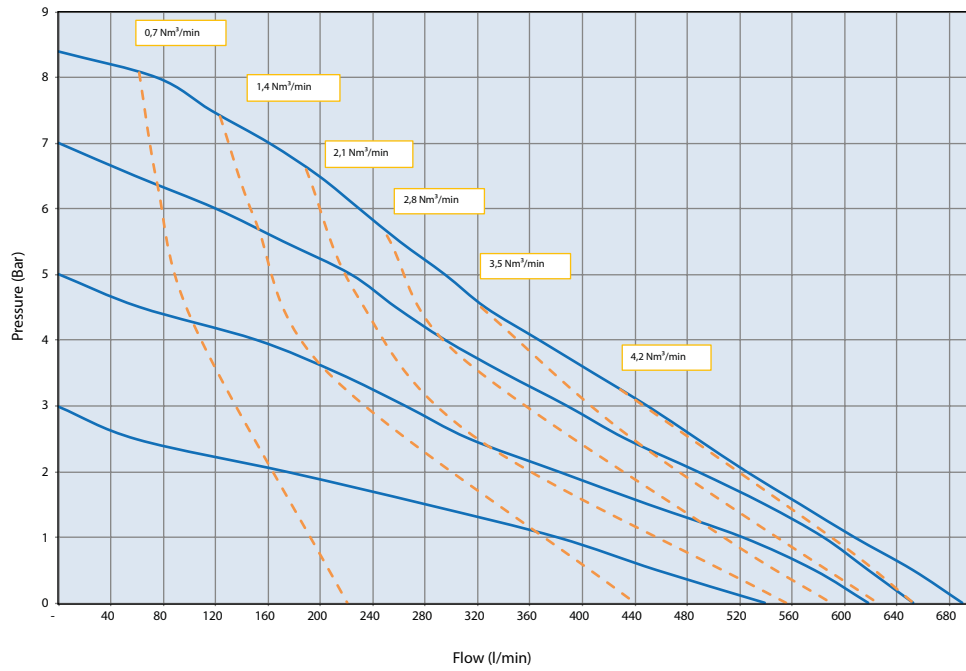


VERDERAIR

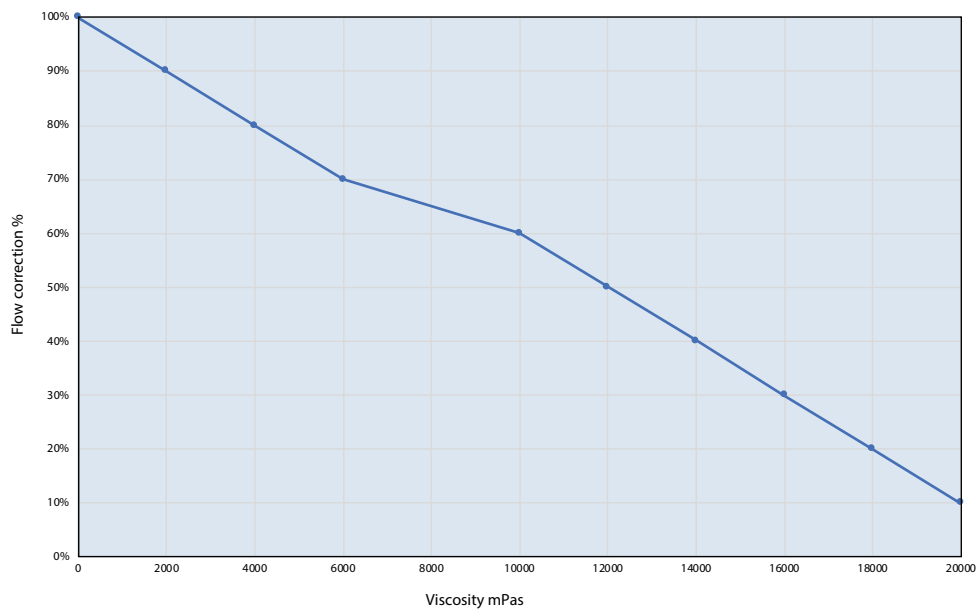
VA-2H52 SB



Flow rate / air consumption



Viscosity correction curve



Datasheet_VA-2H52_SB_EU



Find your local supplier at www.verderliquids.com

For construction, installation and floor mounting drawings please contact your local authorised Verderair® distributor.