

VERDERAIR

VA-2H80(HE) SB

The VA-2H80(HE) SB is a hygienic designed air operated double diaphragm pump. With the wide range of materials for valve seats, ball valves and diaphragms, this pump is the ideal problem solver for numerous hygienic applications. The VA-2H series is used where a high degree of food safety is required. The VA-2H is a reliable, easy to operate pump.



Your benefits

- Most hygienic design for food applications
- Efficient engineered design which reduces the risk of contamination (low amount of products which come into contact with the medium)
- A high quality product with best price-performance ratio
- Can run against closed discharge valve without the need of overpressure safety equipment
- Dry self-priming

Technical Data			
Weight (kg)	Ball version	56,2	
Suction lift (mWc)	dry	3,0	
	wet	9,1	
Temperature limits internals (°C)	BUNA-N	-12	82
	FKM *	-40	135
	EPDM	-40	135
	Neoprene	-18	82
	PTFE	4	104
	Santoprene	-40	82
Max. particle size (mm)	Ball versions	19	
Max. viscosity (mPas)		25000	
Fluid displacement/cycle (litres)	Ball versions	4,54	
Certifications	All models		CE / FDA
	Internals diaphragms	EO,TS with TF valves	EN1935/2004 / USP class VI
* The maximum temperature listed is based on the ATEX standard for T4 temperature classification. If you are operating in a non-ATEX zone, FKM maximum temperature is 160°C			

VERDERAIR

VA-2H80(HE) SB

Code VA-H80(HE) No.1 No.2 No.3 No.4 No.5 No.6 No.7 No.8

No. 1 Fluid Section Material

X = 316 Stainless Steel, Ra : 0,8µm
Y = 316 Stainless Steel, Ra : 0,5µm

No. 2 Air Section Material

P = Polypropylene

No. 3 Check Valve seat material

SE = SS seat with EPDM o-rings
SB = SS seat with Buna-N o-rings
ST = SS seat with EP-TF o-rings
SV = SS seat with FKM o-rings

No. 4 Check ball valves material

BN = BUNA-N
EP = EPDM
NE = Neoprene
SP = Santoprene
TF = PTFE
VT = Viton

No. 5 Diaphragm material

BN = BUNA-N
EO = EPDM overmolded
SP = Santoprene
TS = PTFE/Santoprene 2 piece
VT = Viton

No. 6 Connections

D8 = DIN 11851, DN80, male
T8 = Tri-Clamp (ASME BPE), 3"

No. 7 Pump Style

SB = Ball valve execution

No. 8 Wetted material certifications

21 = EN 10204 type 2.1
31 = EN 10204 type 3.1

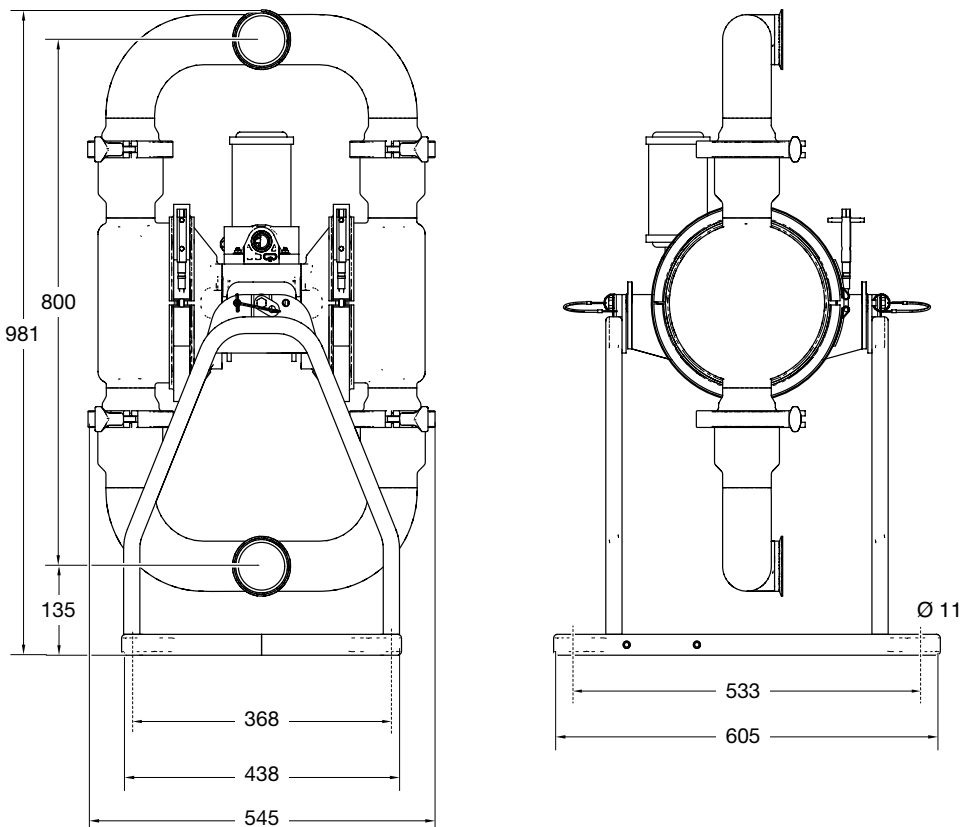
NOTE not all combinations are available

EN 1935/2004

EXAMPLE PUMP TYPE

VA-2H80(HE)XP ST TF TS D8 SB 21

Dimensions (mm)

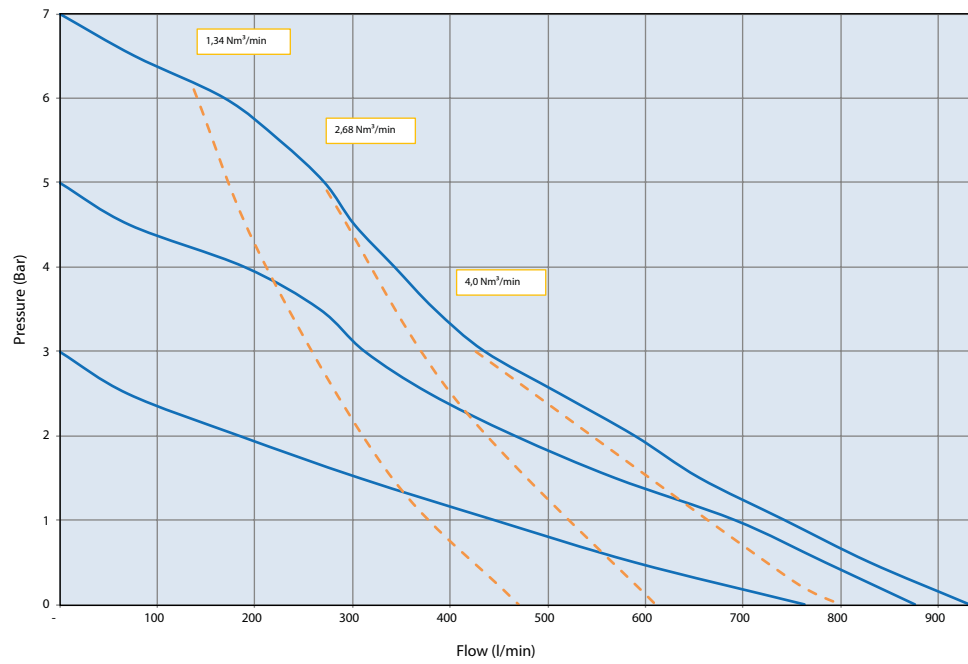


VERDERAIR

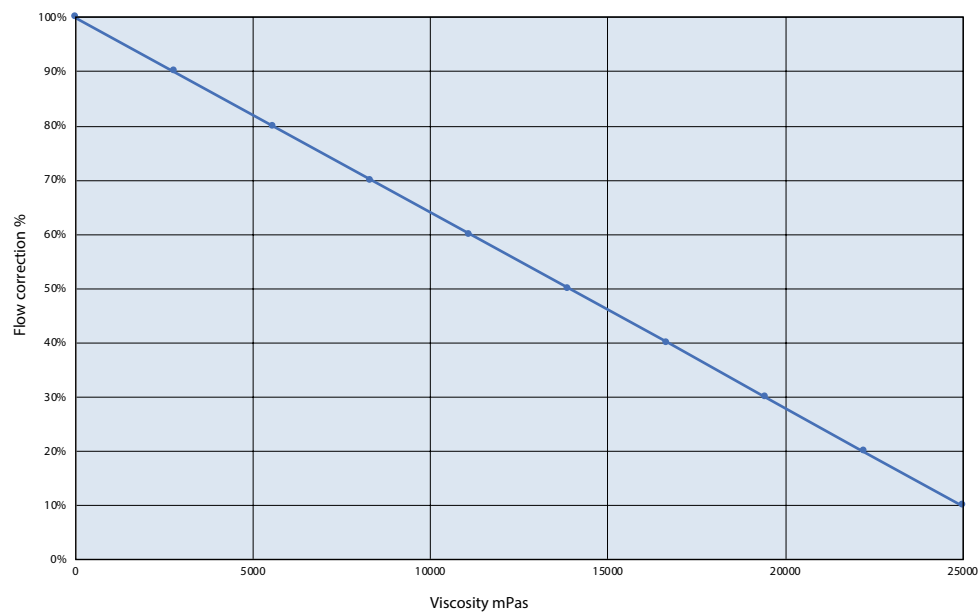
VA-2H80(HE) SB



Flow rate / air consumption



Viscosity correction curve



Datasheet_VA-2H80HE_SB_EU



Find your local supplier at www.verderliquids.com

For construction, installation and floor mounting drawings please contact your local authorised Verderair® distributor.