

VERDERAIR HC-PURE SB SERIES

VA-HCP25 SB

The Verderair HC-PURE series of hygienic double diaphragm pumps is designed for various hygienic applications. The electropolished surfaces reduce the risk of bacteria traps and contamination. The pumps are manufactured from SS 316L according to the highest hygienic design standards. Easy maintenance and a long lifetime results in less downtime for your production process.



Your benefits

- Electropolished
- Easy maintenance
- Solid machined centre block made from PE/Polyamide
- Rotatable stand for quick draining & servicing
- Single piece manifolds
- PTFE/EPDM overmolded diaphragms
- Manifold clamps for easy disassembly
- Maintenance free air valve

Technical data		Measurements
Nominal port size	DIN 11851	DN40
Air inlet	BSP	R 1/4"
Weight (kg)	PA6	10,5
Suctionlift dry (mwc)	EPDM valves	2
	PTFE valves	1,5
Suction lift wet (mwc)		9
Max. operating pressure (bar)		7
Max. operating temperature (°C)	PA6	90
	PE-Cond.	70
Min. operating temperature (°C)		-20
Theoretical displacement volume (single stroke) (l)		0,34
Max. particle size of solids (mm)		12

PUMP CODING VA-HCP SB

Size	Housing	Seat and Gasket	Valves	Diaphragms	Connections	Options
15	XN: SS316L 0.8 µm with PA6 air section XG: SS316L 0.8 µm with PE conductive air section	ST: Stainless steel seats with PTFE gasket SE: Stainless steel seats with EPDM gasket	EP: EPDM ball TF: PTFE ball	TO: PTFE overmolded EO: EPDM overmolded	T4: Tri-clamp 1,5 in. D4: DIN 11851 DN40	SB: Food grade SS: Stroke sensor RE: Remote LS: Leak detection, sensor only
Example: VA-HCP25 XN ST TF TO D2 SB						

VERDERAIR HC-PURE SB SERIES

VA-HCP25 SB

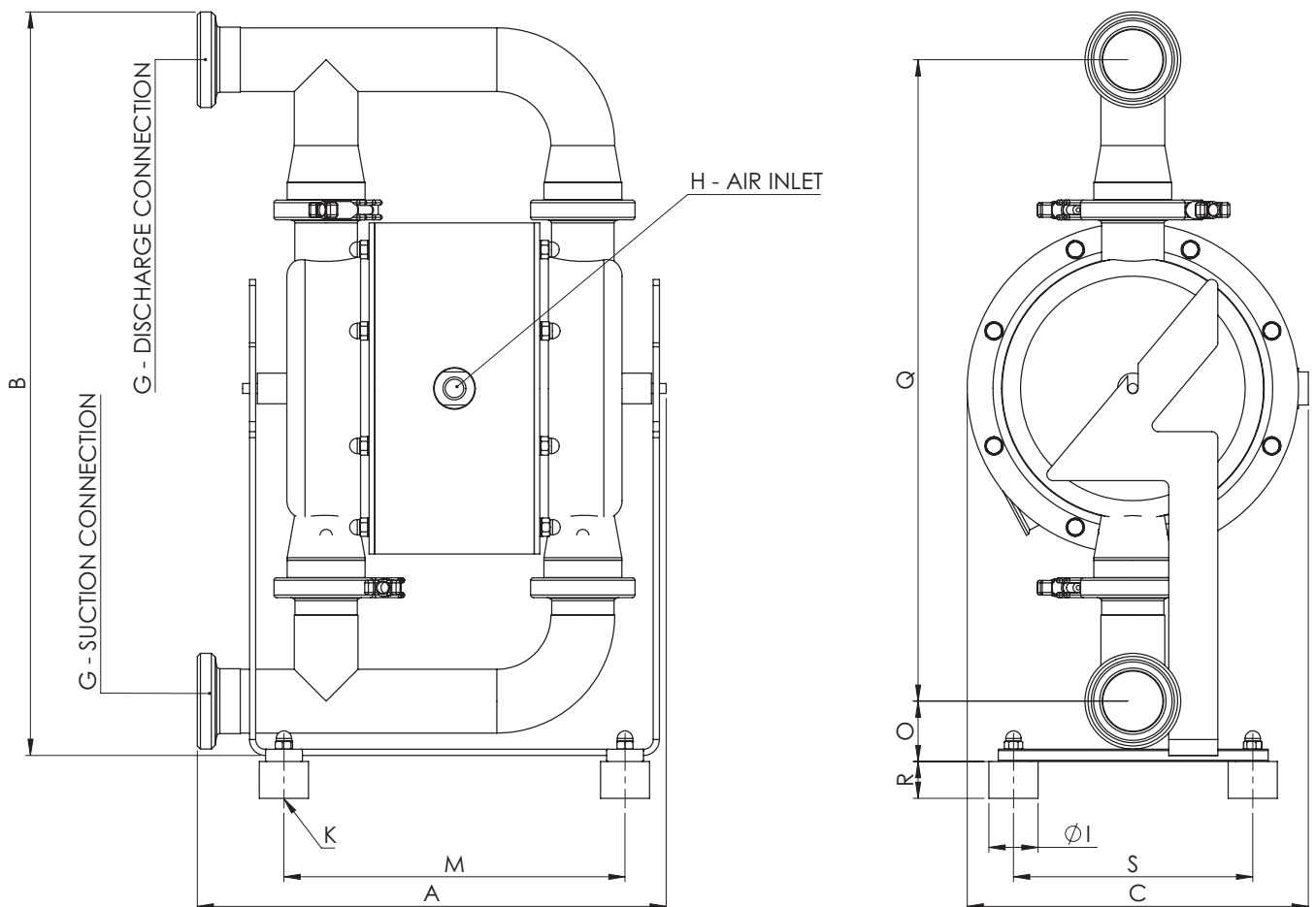


Dimensions

HC-PURE25 SB

A[D]	C	G[D]	G[S]	G[T]	G[R]	H	I	K	M	O	Q	R	S
250	206	40	38	40	R1-1/4	R 1/4	25	M6	184	x	380	20	155

Dimensions in mm



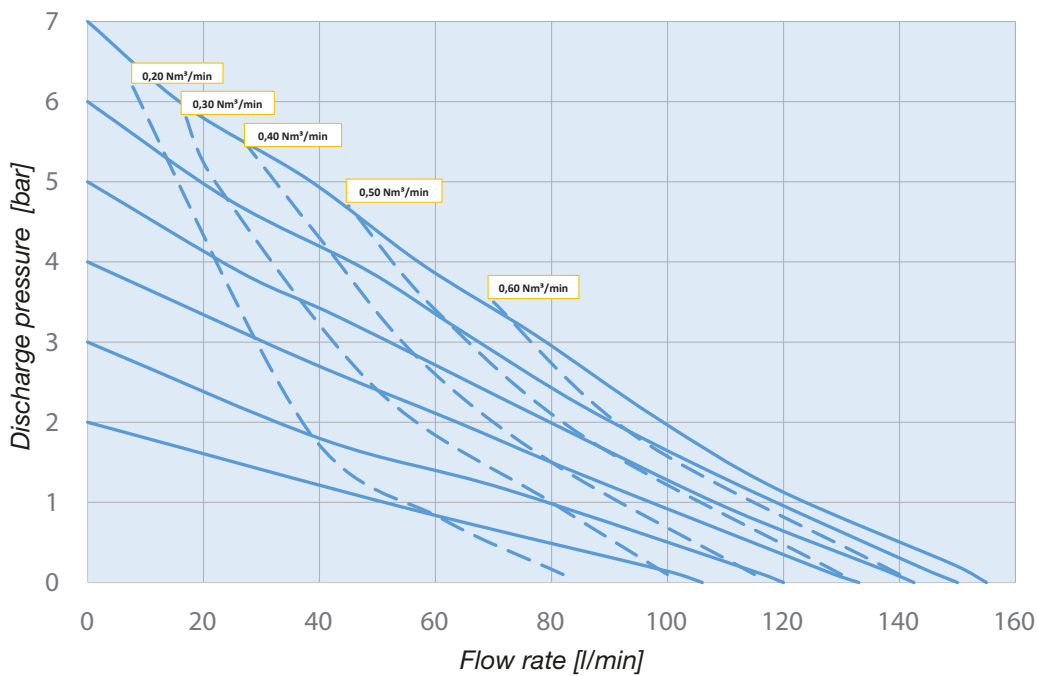
VERDERAIR HC-PURE SB SERIES

VA-HCP25 SB

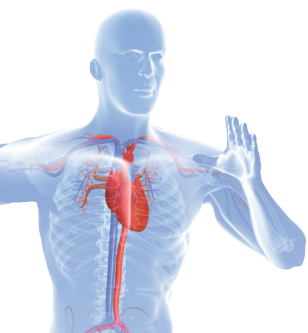


Performance charts

HC-PURE25 SB



23-VA-DA_HC-PURE SB25-eu



Find your local supplier at www.verderliquids.com

For construction, installation and floor mounting drawings
please contact your local authorised Verderair® distributor.