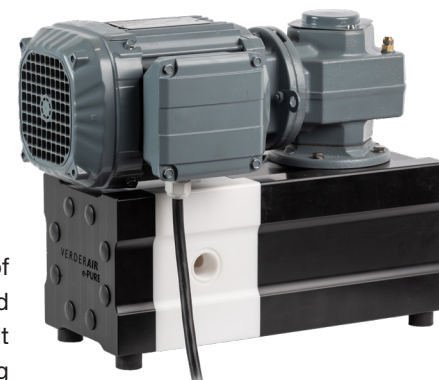


VERDERAIR E-PURE

VA-EP30



The Verderair e-PURE electrically driven double diaphragm pump uses a new kind of technology for diaphragm pumps. This pump series works according to a horizontal fluid flow path, which gives a more energy efficient and less friction loss fluid path. A direct result is reduced maintenance, lower energy costs and a longer life time. The pump housing is manufactured from solid machined PTFE or PE (UHMW). The other wetted parts are made from PEEK and SS 316L. The e-PURE ensures a sustainable solution combined with diaphragm pump advantages.

Your benefits

- Low energy consumption
- Plug & play
- Leak free design
- Self priming & dry running
- Can handle abrasive liquids
- Low pulsation
- Less maintenance - longer life time

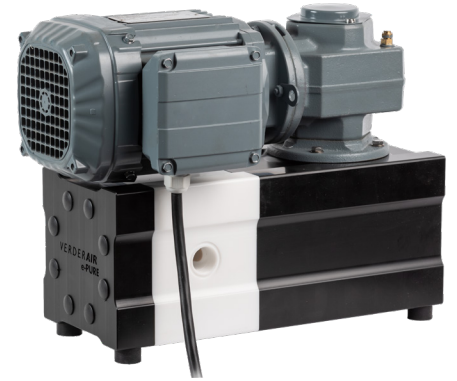
Technical Data	Drive options		
Max. flow rate			30 l/min.
Nominal port size			3/4"
Weight	00	PE1000 PTFE	28 kg 30 kg
	01	PE1000 PTFE	32 kg 34 kg
Suctionlift		dry	5 mwc
		wet	9 mwc
Max. operating pressure			5 bar
Max. operating temperature		PE1000	70 °C
		PTFE	95 °C
Min. operating temperature		PE1000	-15 °C
		PTFE	-15 °C
Electric motor	00		133/230V AC 3-Phase 50 Hz
	01		200-240V AC 1-Phase 50-60 Hz
Installed motor power			0.55 kW
Installed inverter power	01		0.75 kW
Max. particle size of solids			2 mm
IP ratings	00		IP55
	01		IP22
Max. recommended viscosity			2000 mPas

Pumpcoding VA-EP			
Pump size	Housing and drive section		Seats
	Housing*	Drive section	-
30: 3/4" 50: 3/4" 100: 1 1/4"	T: PTFE E: PE	B: POM -C	FP: Flapper PEEK
Diaphragm	Connections	Drive options	Options
TO: PTFE Bounded	TN: Threated NPT TB: Threated BSP	OO: Standard drive (87hz technology) O1: Drive with frequency inverter in control box P1: 01 + potentiometer outside control box	OO: Standard, right suction port SS: Stroke sensor LS: Leak detection, sensor only LP: Left suction port
Example: VA-EP30EB -- FP TO TN OOSS			

* Other materials in contact with fluid SS 316

VERDERAIR E-PURE

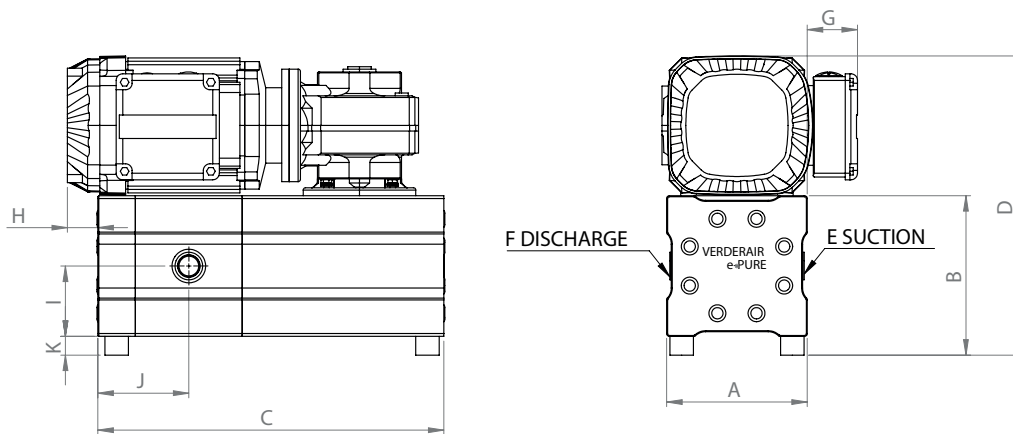
VA-EP30



Dimensions

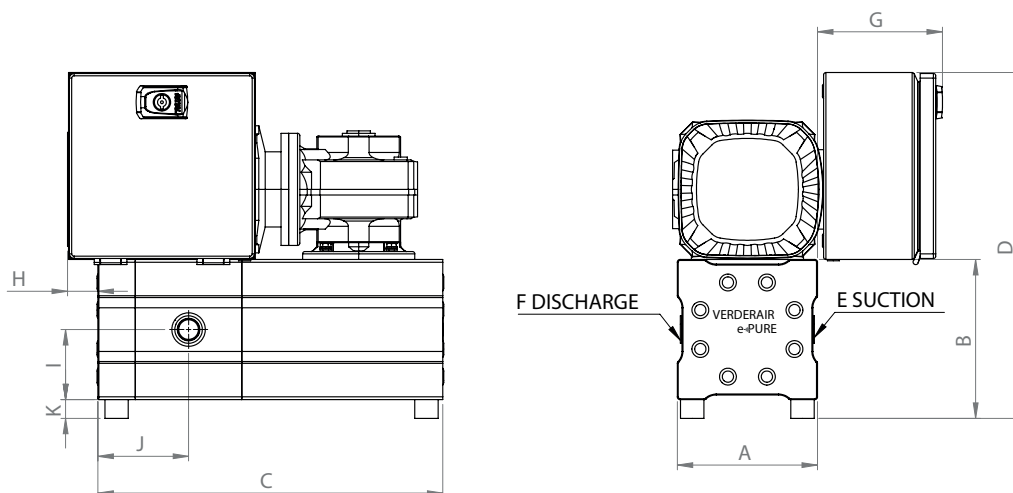
Pump VA-EP30 with drive (option OO)

UNITS	A	B	C	D	E	F	G	H	I	J	K
mm	150	170	369	319	3/4"	3/4"	53,50	32,50	75	97	20



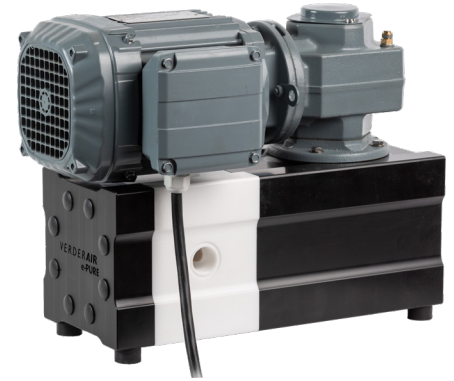
Pump VA-EP30 with drive and frequency regulator (option O1)

UNITS	A	B	C	D	E	F	G	H	I	J	K
mm	150	170	369	370	3/4"	3/4"	133,70	32,50	75	97	20



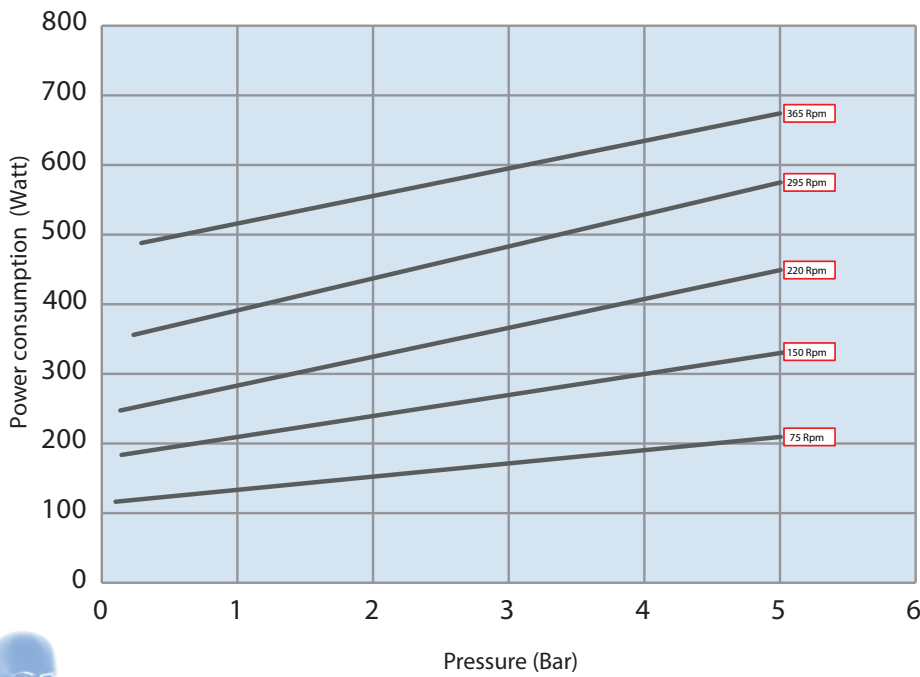
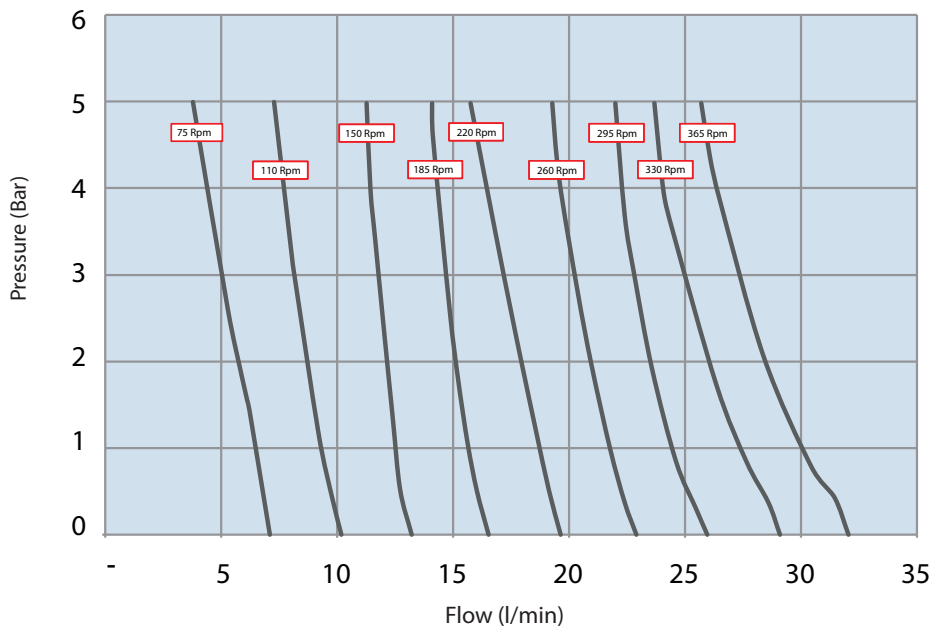
VERDERAIR E-PURE

VA-EP30

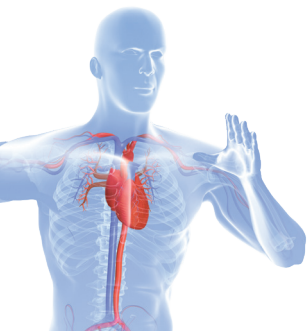


Performance charts

VA-EP30



22-VA-DA_e-Pure_30_eu



Find your local supplier at www.verderliquids.com

For construction, installation and floor mounting drawings please contact your local authorised Verderair® distributor.