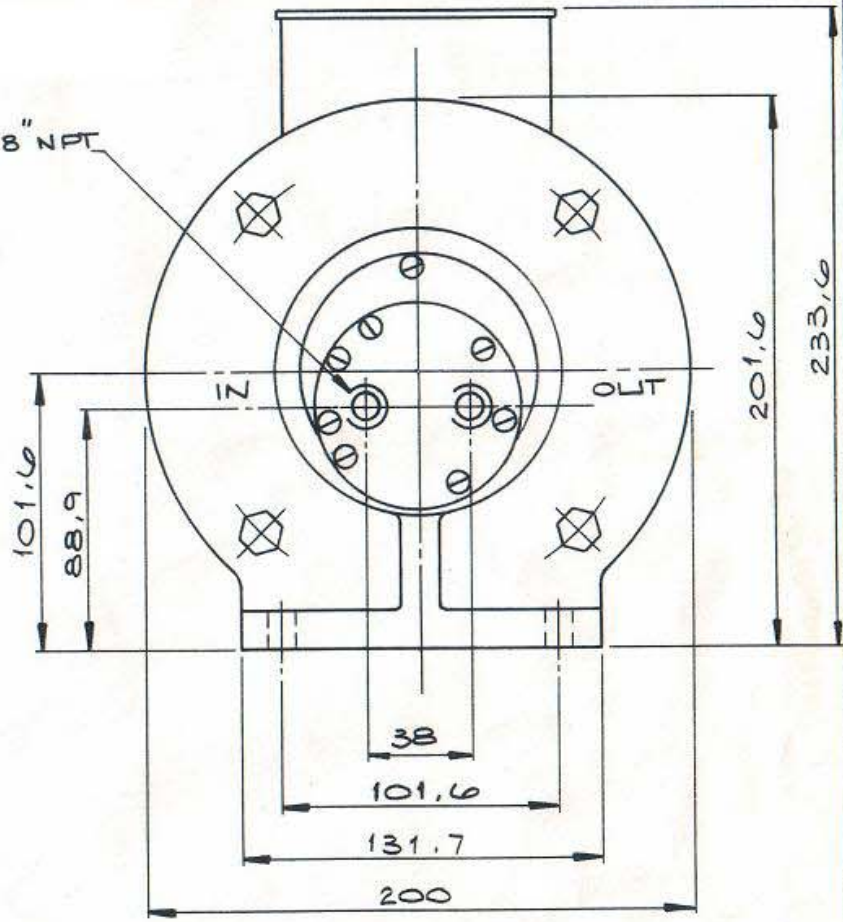


		C	P	L
L M D O	T 2,6	7,925	46	399,4
	T 5,3	15,875	54	407,4
	T 7,9	23,800	62	415,4

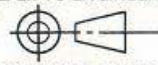
ROTATION ↘

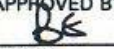
2 x 3/8" NPT




NOTES
ADAPTOR DRG.Nº. B 1209 UK

No.	REVISION	SK No.	DATE

UNLESS OTHERWISE SPECIFIED THE FOLLOWING NOTES APPLY.
 1. REMOVE ALL SHARP EDGES & BURRS
 2. TOLERANCES, $\times = \pm 0,25$
 $\text{xxx} = \pm 0,12$
 $\text{xxx} = \pm 0,05$ ANGLES = $\pm \frac{1}{2}^\circ$
 3. IF IN DOUBT REFER TO ENGINEERING
 4. THIRD ANGLE PROJECTION 
 5. GEOM. TOLS. & SYMBOLS TO BS 308
 6. SURFACE ROUGHNESS ON MACHINED SURFACES 125 MICROINCH
 MATERIAL:

DRAWN BY: MEH
 APPROVED BY: 
 DATE: 21.1.94
 SCALE: 1:2

 TUTHILL U.K. LIMITED	Ilkeston Derbyshire England
	DESCRIPTION T-SERIES PUMP COUPLED TO A D80 MOTOR.
PART No.	DRAWING No. B1210 UK