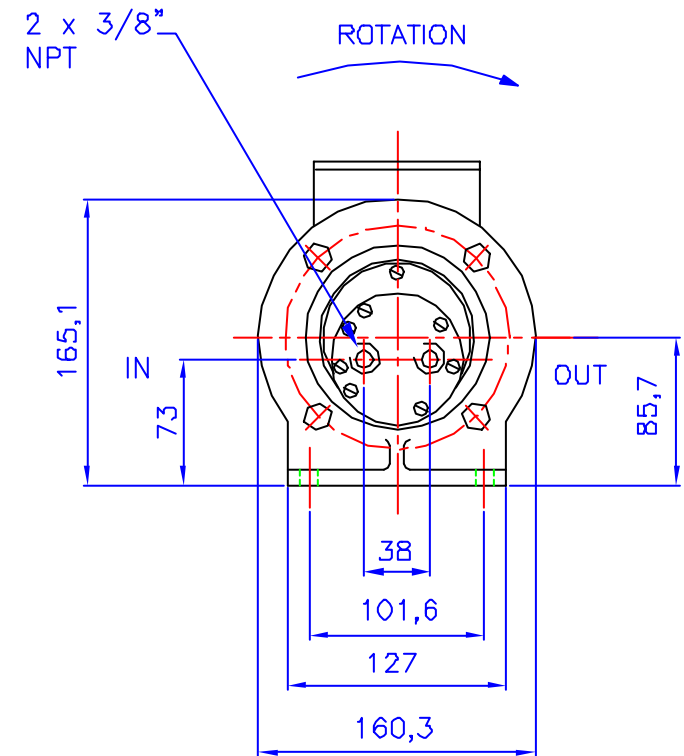
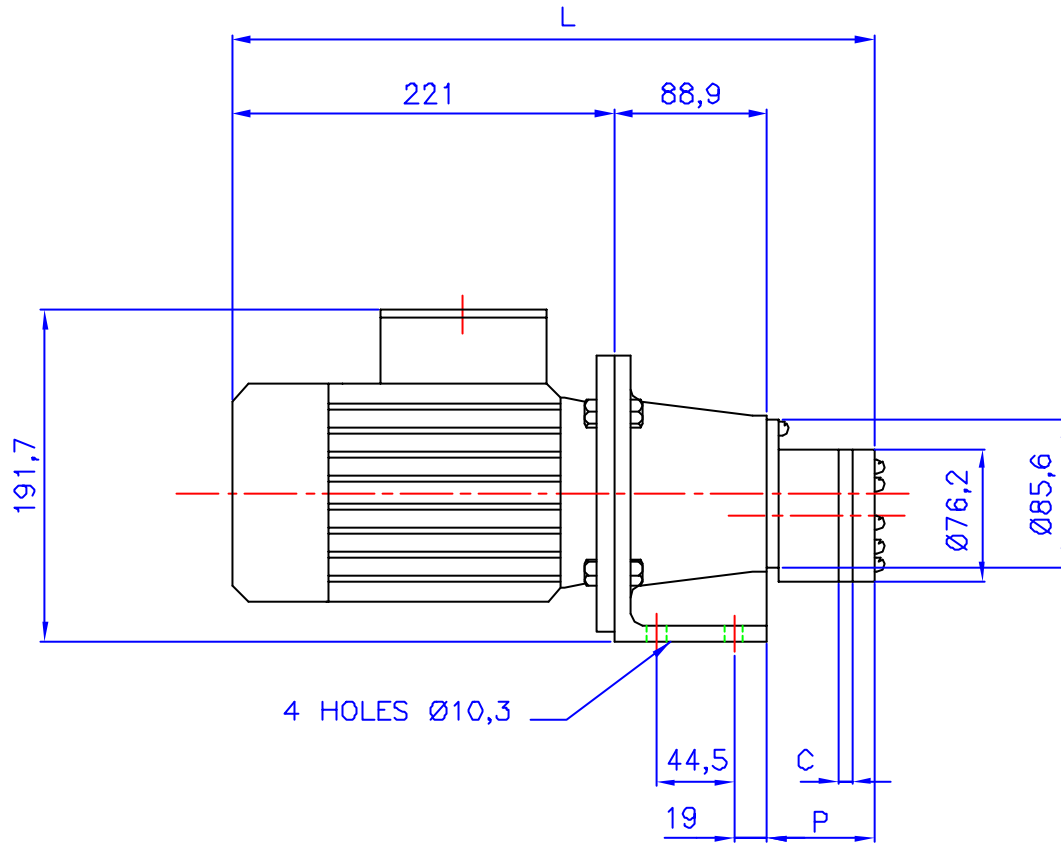


		C	P	L
MODEL	2.6	7.925	46	356
	5.3	15.875	54	364
	7.9	23.800	62	372



WEIGHT - 15kg

No.	REVISION	SK. No.	DATE
3	RE-DRAWN ON CAD.	923	08.09.04
2	MODEL Nos CHANGED & WEIGHT ADDED.	603	16.9.97
1	RE-DRAWN & TERM. BOX ADDED.	289	10.1.94

DO NOT SCALE.

4. THIRD ANGLE PROJECTION

DRAWN BY:
M.E.H.
CHECKED BY:
APPROVED BY:
DATE:
08.09.04
SCALE:



TUTHILL
PUMP GROUP

Ilkeston
Derbyshire
England

DESCRIPTION:
T SERIES PUMP COUPLED TO
A D71 MOTOR USING A B1207UK ADAPTOR.

PART No. DRAWING No.
B1149UK

This drawing is the property of TUTHILL PUMP GROUP and must not be used or copied without prior written consent.

UNCONTROLLED COPY WILL NOT BE UPDATED