
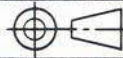


PUMP MODEL	DIMENSION		
	A	B	C
.11/1.19	336,7	115,7	52,5
.23/1.38	339,9	118,9	55,7
.57	343,1	122,1	58,9
.68/1.80	344,9	123,9	60,7
.99/1.2	350,2	129,2	66
1.3	352,6	131,6	68,4
1.6	356,4	135,4	72,2
2.0	360,2	139,2	76
2.3	362,8	141,8	78,5

			UNLESS OTHERWISE SPECIFIED THE FOLLOWING NOTES APPLY. 1. REMOVE ALL SHARP EDGES & BURRS 2. TOLERANCES ON DECIMALS ARE · XX = ±.015" · XXX = ±.005" ANGLES = ± 3° 3. IF IN DOUBT REFER TO ENGINEERING 4. THIRD ANGLE PROJECTION	DRAWN BY: MEH	 TUTHILL U.K. LIMITED	Ilkeston Derbyshire England
				APPROVED BY: BE		
				DATE: 11.1.95	DESCRIPTION 'D' SERIES MAGNETICALLY COUPLED PUMP, COMPACT COUPLED TO A DTIC MOTOR USING A11 & 44K.	
				SCALE: 1:2		
			MATERIAL:	PART No.	DRAWING No. B1280 UK	
No.	REVISION	SK No.	DATE	This drawing is the property of TUTHILL U.K. LIMITED and must not be used or copied without prior written consent		