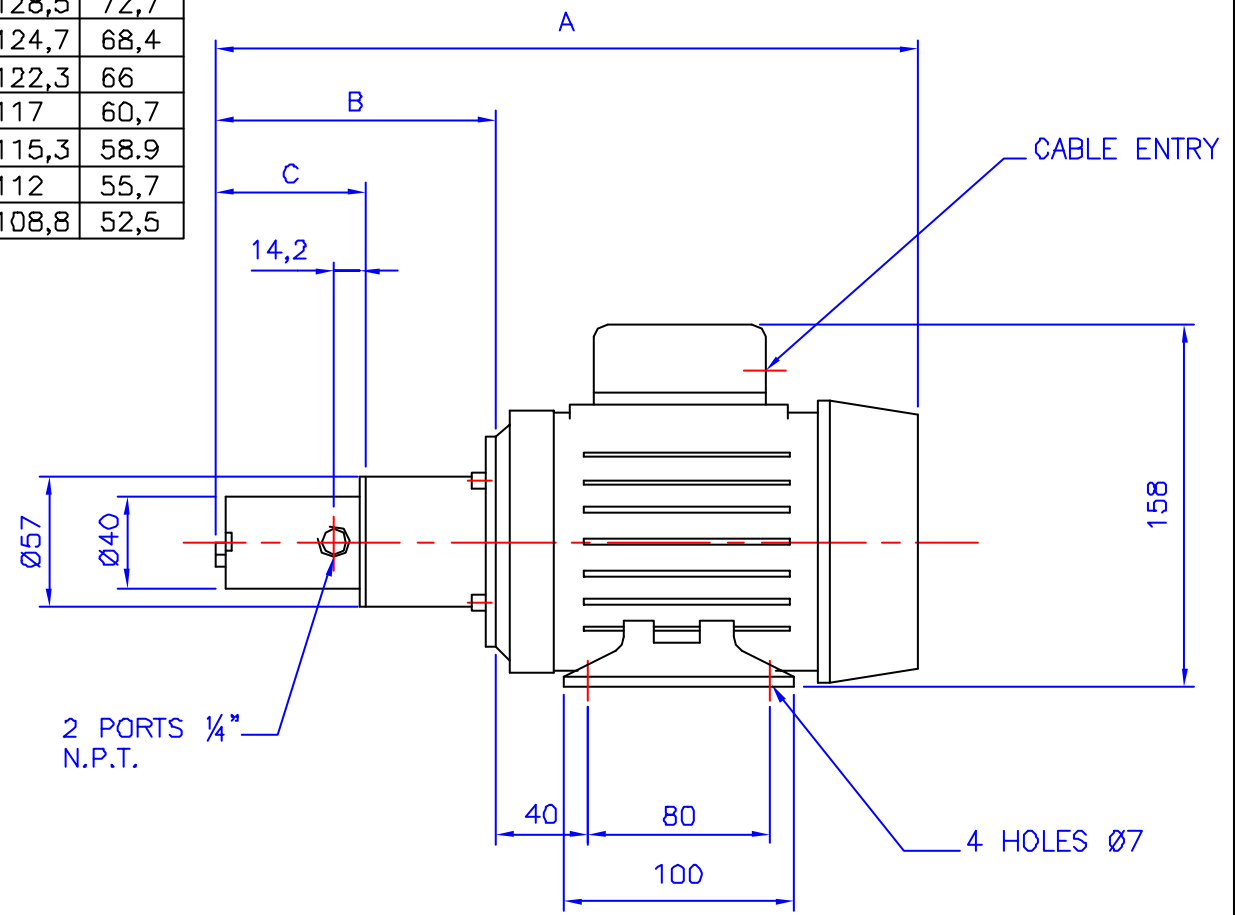
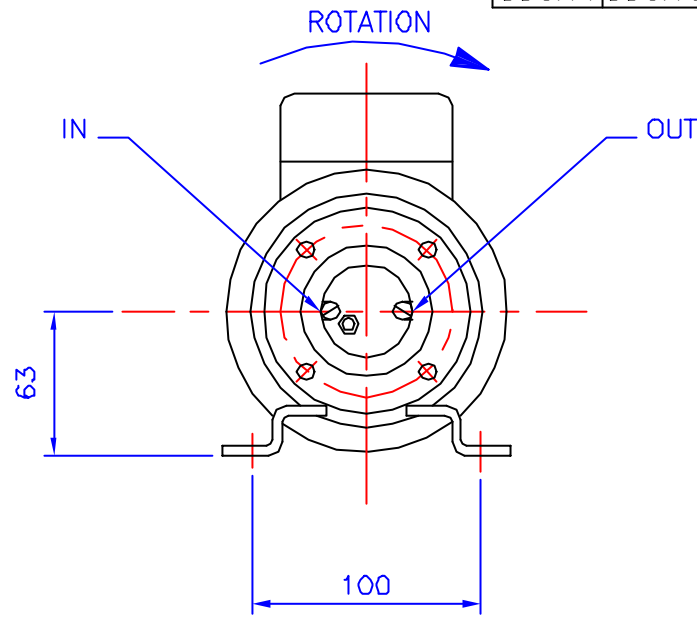


		DIMENSIONS		
PUMP MODEL		A	B	C
	DDS2.3	315,3	131,5	74,7
	DDS2.0	312,7	128,5	72,7
	DDS1.6	312,7	128,5	72,7
	DDS1.3	308,9	124,7	68,4
DDS1.2	DDS.99	206,5	122,3	66
DDS.80	DDS.68	301	117	60,7
	DDS.57	299	115,3	58,9
DDS.23	DDS.38	276	112	55,7
DDS.11	DDS.19	292,8	108,8	52,5



3	RE-DRAWN ON CAD WITH NEW MODEL Nos. ONLY.	856	06.12.02	
2	NEW MODEL Nos.ADDED	727	7.2.00	
1	RE-DRAWN & MODEL Nos.ADDED.	411	9.5.95	
No.	REVISION	SK. No.	DATE	

DO NOT SCALE.

3/4 IN DOUBT REFER TO ENGINEERING.

4TH ANGLE PROJECTION

DRAWN BY: M.E.H.  
 CHECKED BY:  
 APPROVED BY:  
 DATE: 06.12.01  
 SCALE:

**TUTHILL PUMP GROUP**  
 Ilkeston Derbyshire England

DESCRIPTION: 'D' SERIES MAGNETICALLY COUPLED PUMP, COMPACT COUPLED TO A D63 MOTOR

PART No. DRAWING No. C108BUK

This drawing is the property of TUTHILL PUMP GROUP and must not be used or copied without prior written consent.

**UNCONTROLLED COPY WILL NOT BE UPDATED**